

DIVISION 26 – ELECTRICAL

26 05 00 – General Electrical Requirements

1. A/E Electrical Drawings

1.1. Schematic Design

- 1.1.A. For new facilities, provide a power distribution one line diagram (not to be confused with a riser diagram) from the service primary switchgear through the distribution panelboards and major loads.
 - 1.1.A.1. For existing facilities that are being modified, update the University's existing building one line diagram. Contact FM Records department for the latest one line diagram.
- 1.1.B. Include the following in the one line diagram:
 - 1.1.B.1. Connection point to University 13.8 kV distribution system (typically in a manhole).
 - 1.1.B.2. Ratings and sizes for MV Cable, Medium and low voltage buses, Motors (>10 hp), Switchboards, Distribution panels, Disconnects (> 60 amps), Transformers, and Breakers for switchboards and Distribution panels.
 - 1.1.B.3. Metering and instrument transformers (CT's and PT's).
 - 1.1.B.4. Kirk-key interlock system for main-tie-main systems.
 - 1.1.B.5. Spares and spaces for breakers/switches.
 - 1.1.B.6. Surge Protective Device (Medium and low voltage)
 - 1.1.B.7. Breaker functions (LSIG)
- 1.1.C. Submit a calculation of how the medium voltage power transformer sizing was developed. The intent is to avoid defaulting to the largest transformer allowed which are expensive and waste energy. Main building transformers are typically grossly oversized at the schematic level and never get reduced from there.
- 1.1.D. All building service main switchboards shall be a main-tie-main configuration. Exceptions to this must be reviewed and approved by University engineering staff.
- 1.1.E. Description of major systems (power, lighting, grounding, voice, data, fire alarm, emergency, special systems).
- 1.1.F. Include provisions for 20 percent future capacity at building completion. This includes spare devices and space requirements. Use of spares for building controls, etc. is not acceptable. This includes switchboards, panelboards, fire alarm panels, lighting control, and other similar equipment.

- 1.1.G. Include consideration for arc-flash hazards and identify how arc-flash will be mitigated in high risk areas.
- 1.1.H. Site plan showing connection to utility systems (duct bank and manholes).
 - 1.1.H.1. Include site lighting description or preliminary layout.
 - 1.1.H.2. Obtain identification numbers for medium voltage manholes, hand holes and pullboxes from the University electrical engineering staff. These numbers shall be shown on the design drawings.
 - 1.1.H.3. Perform cable pulling calculations for each duct bank run to determine the pulling tension and sidewall pressure are within applicable limits for general applications. Calculations shall be submitted for review to the University electrical engineering staff, and shall be included in the project O&M manuals. If calculations indicate restrictions on the direction of the pull or location of the feed points, these restrictions shall be included in the contract documents.
- 1.2. Design Development
 - 1.2.A. Refined site plan of pedestrian lighting, emergency egress lighting, and electrical utility systems, including a profile drawing of underground duct bank (may be shown in civil engineering plans).
 - 1.2.B. Manhole plates (a.k.a. butterfly diagrams) of manhole characteristics and design.
 - 1.2.C. Refinement to one line diagram (including both winter and summer peak demands).
 - 1.2.C.1. Include short circuit ratings.
 - 1.2.D. Perform and submit preliminary short circuit and arc flash calculations throughout the system.
 - 1.2.D.1. It is the A/E's responsibility for this study. It shall not be delegated to the Contractor within the contract documents. The A/E must perform the short circuit analysis and identify the necessary interrupting ratings on the equipment before the contractor purchases the equipment.
 - 1.2.D.2. Short circuit study shall be based on a maximum available fault current of 250 MVA (10 kA PER CIRCUIT) at 13.8 kV, 3 phase and 85 MVA line-to-ground, with an X/R ratio of 8. Short circuit studies shall include the worst case scenario of both 13.8 kV feeders tied in parallel at the secondary main switchgear.
 - 1.2.D.3. Arc flash hazard studies shall evaluate the system with maximum and minimum available fault current to determine the worst case scenario. The objective is to not only verify the design but also identify the equipment that requires other arc flash mitigation other

than PPE to ensure the safety of a worker (i.e. areas greater than 40 cal/cm²).

- 1.2.D.4. Transformer impedance: ANSI standard minus 7.5 percent tolerance.
- 1.2.D.5. Motor contribution: Per IEEE 242 recommendations for equipment substations.
- 1.2.D.6. Include the X/R ratio of fault current at all levels.
- 1.2.E. Perform and submit a preliminary overcurrent coordination study of both the normal and emergency systems.
 - 1.2.E.1. It is the A/E's responsibility for this study. It shall not be delegated to the Contractor within the contract documents. The A/E must provide a preliminary coordination study that confirms the overcurrent protection coordination is feasible. Contract documents may require the contractor to submit the necessary overcurrent protective device characteristic curves to complete the A/E's final coordination study based on the specific equipment furnished.
 - 1.2.E.2. Where ground fault protection is required, design a coordinated ground fault protection system to minimize the possibility of power outages to critical building facilities. There shall be a minimum of two (2) levels of ground fault protection at the service entrance equipment. Additional ground fault protection may be required to provide personnel protection.
 - 1.2.E.3. Coordinate the emergency system per the NEC.
 - 1.2.E.4. As-Builts: Update the coordination study based upon actual installed devices and include TCC graphs and settings in O&M manuals.
- 1.2.F. Equipment that meets the requirements on NEC-2014 240.87 or is at risk of high arc-flash or explosive conditions shall be specified with means to reduce or remove the arc-flash exposure. Arc-resistant equipment, remote breaker operators/control switches, breaker remote racking devices, and integral arc detection systems are some of the acceptable options. The use of "maintenance" switches to enable an instantaneous trip function on the circuit breaker must be reviewed and approved by the University electrical engineering staff.
 - 1.2.F.1. Consideration shall be given to arc-resistant equipment where applicable.
- 1.2.G. Layout electrical spaces including equipment shown on the one line diagram. In addition, show fire system, building automation, security, SCADA panels and other panels that will require space in the electric rooms.

- 1.2.H. Floor plans showing every device.
- 1.2.I. Show access paths for major electrical equipment to and from the building.
- 1.2.J. Electric Vaults: Provide a plan and detailed elevation views for each vault. At a minimum, provide detail (to scale) for the following: Equipment plan and elevation outlines, concrete equipment pads, medium voltage raceways and pullboxes, ground buses and secondary busways.
- 1.2.K. Fire detection system plans.
- 1.2.L. Telecom-voice/data plans.
- 1.2.M. Schedules (motor, panelboards, lighting, etc.).
- 1.2.N. Electrical details.
- 1.2.O. Grounding systems shall not be specified solely by conformance with the NEC. The systems shall be fully designed, specified and shown on the drawings. Include a grounding riser diagram on the drawings and specify ground resistance.
 - 1.2.O.1. A ground grid shall be designed beneath the medium voltage vault to limit step and touch potentials to within IEEE 80 guidelines. The ground grid design calculation shall be submitted to the University electrical engineering staff for review.

2. A/E General Electrical Design Requirements

- 2.1. All 13.8 kV cable, splicing and terminations from the manhole to the 15 kV service equipment shall be installed by the University Electric Utilities and shall be noted as such in the contract documents.
- 2.2. Locate electrical distribution equipment (600V and less) in dedicated electrical closets, electric rooms, or mechanical equipment rooms.
 - 2.2.A. Exclude piping, ductwork and other systems that are not compatible with the electrical installation from the entire interior of electrical closets, rooms and vaults from floor to structure.
 - 2.2.B. **PROHIBITED:** Penetrations in the medium voltage vault ceiling or deck.
 - 2.2.C. **PROHIBITED:** Panelboards located in corridors, hallways, classrooms and public spaces.
- 2.3. Electrical work in architecturally finished spaces shall be concealed. If concealment is not possible, electrical work shall be installed in a University approved surface raceway system.
- 2.4. Provide a nominal 3-1/2 inch high concrete housekeeping pad for floor mounted equipment. Pads shall extend horizontally 2 inches beyond the equipment footprint and shall be sealed before equipment is set on them.

- 2.5. Equipment and material shall be listed by a nationally recognized (e.g. Underwriters Laboratory) listing agency.
- 2.6. The design shall comply with Minnesota Energy Code, and in some cases the Minnesota B3 sustainable building guidelines. Consult with the University for Minnesota B3 requirements.
- 2.7. All electrical conducting material shall be copper, unless specifically allowed otherwise in this document.
- 2.8. The phase arrangement on three-phase equipment shall be A-B-C from left to right, top to bottom, front to back, as viewed from the front of the equipment.
- 2.9. **PROHIBITED:**
 - 2.9.A. Abandoning existing electrical circuits in place. Conductors must be pulled back to point of origin. The conduit can be left in place.
 - 2.9.B. Direct buried underground wiring.
 - 2.9.C. Lead, wood or fiber anchors that support raceway or equipment.
 - 2.9.D. Power distribution cables in open raceways or cable trays, except for medium voltage cables in vaults.
 - 2.9.E. Overhead wiring.
 - 2.9.F. Drip pans on new installations.

3. A/E Medium Voltage Vault Design

- 3.1. The term “electric vaults” or “medium voltage vaults” shall be defined as any room containing electrical equipment operating above 600 volts.
- 3.2. Vaults shall be designed to comply with NEC 450, Part III, as a 3 hour rated structure and shall not be constructed with any flammable material, including gypsum board.
- 3.3. 15 kV switching vaults shall not be installed in a building penthouse or any other floor above grade level because of the difficulty of pulling 500 kcmil, 15 kV cable up through a building. Transformer vaults are allowed in the penthouse provided that a 2 hour rated chase is installed vertically between the lower switching vault and the upper transformer vault.
- 3.4. **PROHIBITED:** Fire protection sprinkler systems in electric vaults. The A/E shall design electric vault(s) to eliminate the need for a fire protection sprinkler system per the latest edition of NFPA 13.8.15.10.3 and/or any other applicable codes.
- 3.5. Vault smoke detection shall be an incipient detection system to avoid entrance of non-electrical personnel into the vault for periodic smoke detector maintenance.
- 3.6. **PROHIBITED:** Standby generators, transfer switches, small secondary transformers and related panelboards, and fire alarm panels in electric vaults.
- 3.7. **PROHIBITED:** Construction materials that requires spray-on fire proofing.
- 3.8. Shall have two means of egress on opposite ends of the space.

- 3.9. Shall not contain any foreign utilities that pass through the vault.
- 3.10. Vault doors shall be designed with the following features:
 - 3.10.A. One of the two doors to the vault must be large enough to move the electrical equipment upright through the door. Removable transoms are acceptable. Alternate means of removing equipment from the vault must be submitted to the University electrical engineering staff for review and approval.
 - 3.10.B. Doors shall be equipped with Von Duprin push bar hardware to be compatible with the stand-alone card reader.
 - 3.10.C. One of the two doors shall be equipped with a stand-alone, battery operated card reader. Request the manufacturer and part number from the University electrical engineering staff. Include the card reader in the architectural door schedules to ensure proper setup of the door.
 - 3.10.D. Ensure the architectural door schedules have the second door (without the card reader) to be self-locking. Once the key is removed the door stays locked.
 - 3.10.E. Include door sweeps in architectural door schedules.
- 3.11. Coordinate HVAC design of the vault with mechanical design.
 - 3.11.A. Design space for a nominal 80 degrees Fahrenheit ambient.
 - 3.11.B. Chilled water cooling is preferred.
 - 3.11.C. Design heat load for a peak summer loading. Do NOT design for maximum transformer heat rejection. It is acceptable to allow the vault to get above 80 degrees ambient on the few hot and humid days of the year.
 - 3.11.D. If the A/E chooses to ventilate the vault with 100 percent outside air instead of chilled water, the design concept must be reviewed and approved by the University electrical and mechanical engineering staff.
 - 3.11.E. Install an “OFF-AUTO” switch mounted in the vault and wired back to the DDC system so that an electrician can shut the ventilation off during maintenance of the vault. In addition, if the switch is left in the “OFF” position for more than 8 hours, it will generate an alarm within the DDC system.
 - 3.11.F. Supplemental heating must be provided, if necessary, for the vault to maintain a minimum ambient of 65 degrees Fahrenheit.
 - 3.11.G. Maintain slightly positive room pressurization.
 - 3.11.H. **PROHIBITED:** The vault shall not contain any mechanical equipment that requires access by unauthorized personnel for maintenance (e.g. motor starters, fans, louver operators, etc.). Ductwork and incipient smoke detection piping is acceptable.
 - 3.11.I. Supply air to a vault must be filtered.

- 3.12. Vault lighting shall be switched with illuminated 3-way switches, and shall be on an emergency circuit.
- 3.13. Provide at least one vault duplex receptacle on an emergency circuit. Receptacle shall be colored red.
- 3.14. Walls of the vault must be painted white.
- 3.15. Contract documents shall note that housekeeping pads must be sealed prior to equipment being placed on them.
- 3.16. A 24"x48" spare fuse cabinet shall be provided and mounted on the wall of the vault.
- 3.17. A minimum of 72 inches of clearance shall be maintained in front of 15 kV switchgear and in front of the primary termination quadrant of the transformers.
- 3.18. To provide safe operating clearance for hot stick operation, a minimum of 6 feet of clearance is required in front of all electrical equipment doors. In addition, a minimum of 6 feet of clearance is required in front of any removable panels where grounding clusters may be applied or an exposed live part may exist. A minimum of 60 inches shall be maintained in the rear of the 15 kV switchgear for cable pulling purposes.
- 3.19. Minimum duct bank size into a building shall be a 2 x 2 (total of 4 barrels).
- 3.20. If the 15 kV duct bank enters the vault from below the slab on grade, the vault shall be provided with a sump drain (not sanitary drain) to avoid flooding from the outside manhole.
- 3.21. If the 15 kV duct bank enters the vault through a wall, a water break must be used (e.g. a pullbox or cable tray) to avoid water from running into the switchgear.
- 3.22. Access to electrical vaults shall be by University Electric Utility employees only. If access to a vault by others is needed, a University Electric Utilities employee shall be present.

4. Service Interruptions and Energization

- 4.1. Service interruptions and energization of the University 13.8 kV system must be scheduled and coordinated with the University electrical engineering staff and the University Electric Utilities. Interruptions and energizing of the 13.8 kV system is treated with the highest level of safety, concern and care to avoid unintended interruptions to other facilities on the same 13.8 kV circuit or damage to other connected equipment.
- 4.2. Electric service to the project shall not be energized until the electric service facilities of the building are substantially complete (Refer to Section 260800 Electrical Commissioning for further detail on substantial completion).
- 4.3. The Division 26 contractor shall submit a written Utility Interruption Form to the University project manager, to the University electrical engineering staff, and to the University Electric Utilities general foreman.

- 4.3.A. Submit the form a minimum of 14 days in advance of the required interruption or energization. This notice is required to write a switching procedure, schedule a switching crew and isolate other facilities on the circuit(s) that may be impacted by the procedure.
- 4.4. The University Electric Utility department will operate and is in control of all 15 kV switches and circuit breakers. Initial energization of the primary transformers will be by the University Electric Utilities. Energization will be up to the primary transformer secondary disconnect device. The Division 26 contractor shall be responsible for operation of the main disconnect and energization of the main service switchboard, including all switchboard feeder breakers.
- 4.5. Following initial energization, only University Electric Utilities shall be in control of all equipment inside the high voltage vault.

26 05 13.16 MEDIUM VOLTAGE CIRCUITS

1. General Cable Construction

- 1.1. For cable in duct banks, the construction shall consist of 105 degrees C, UL Type MV-105, 15 kV, 100% (175 mils) of ethylene propylene rubber (EPR) insulation, a copper tape shield, low smoke zero halogen jacket (per UL 1581 and UL 1685), and comply with ICEA Standard S-68-516.
- 1.2. For cable inside the building, the construction shall consist of 105 degrees C, UL Type MV-105, 15 kV, 100% (175 mils) or 133% (220 mils) of ethylene propylene rubber (EPR) insulation, a copper tape shield, low smoke zero halogen jacket (per UL 1581 and UL 1685), and comply with ICEA Standard S-68-516.
- 1.3. Conductors shall be compact copper.
- 1.4. The University standard sizes of 15 kV cable are: 500 kcmil, 250 kcmil and 2/0 AWG. Building feeders are either 500 kcmil or 250 kcmil. Please request the size from the University electrical engineering staff.
- 1.5. Cables shall be colored coded with tape: A-Phase (Black), B-Phase (Red), C-Phase (Blue).
- 1.6. Request the University standard medium voltage cable specification from the electrical engineering staff for complete details.

2. Terminations

- 2.1. Primary cable terminations shall be made of Class I, heat-shrink or cold-shrink termination kits as manufactured by Raychem or 3M.
- 2.2. Primary cable splices shall be 600 amp modular type (3M 5815 series or equivalent Raychem series) with a cold shrink sleeve.

3. Ground Wire

- 3.1. All medium voltage circuits shall contain a 250 kcmil, THHN, copper conductor ground wire with a green jacket.

4. Installation

- 4.1. University Electric Utilities shall furnish, install, splice and terminate all primary cables between the point of connection to the existing campus distribution feeders and the line side terminals of the first primary switch for each feeder to the building.
- 4.2. Installation and splicing of medium voltage conductors inside of the building shall be by qualified personnel with a minimum of 5 years experience. References and past experience shall be provided to the University upon request.

26 05 19 LOW-VOLTAGE POWER CONDUCTORS AND CABLES

1. General

- 1.1. **PROHIBITED:** Aluminum conductors, without approval by University electrical engineering staff.
 - 1.1.A. In the event an aluminum conductor is accepted by the University electrical engineering staff, it must conform to the following requirements:
 - 1.1.A.1. Aluminum conductors shall be limited to circuits with switches or circuit breakers that can accept a standard one hole lug or a pin lug (a.k.a. “Mac Adaptor”). Anything else is strictly prohibited. If the breaker/switch cannot accept these two types of lugs, then a different breaker/switch must be installed or copper conductors must be used.
 - 1.1.A.2. Absolutely no splices allowed.
 - 1.1.A.3. All terminations shall be non-reversible crimps, and installed with a UL listed lug and die crimping system. The use of one manufacturer’s lug with another manufacturer’s die is not acceptable.
 - 1.1.A.4. Terminations must be installed by electricians trained by the lug and crimp manufacturer’s authorized representative.
 - 1.1.A.5. The crimping dies shall emboss the crimping die number on the lug to verify that the lug and crimp numbers match.
 - 1.1.A.6. All conductors shall be wire brushed before the lug is crimped.
 - 1.1.A.7. The number of crimps per lug shall match the manufacturer’s requirements.
- 1.2. Minimum size of conductors for lighting and power circuits is #12 AWG.
- 1.3. Conductors for site lighting installed in underground PVC conduit shall be a minimum of #8 AWG and have type XHHW insulation on conductors.
- 1.4. 600 volt conductor insulation shall be rated 90 degrees C minimum in dry conditions.
- 1.5. Conductors #10 AWG and smaller are preferred to be solid wire.

- 1.5.A. Exception: Stranded conductors may be used in lieu of solid wire provided the wire is properly terminated with compression type connectors or between an approved clamp plate that is secured with a screw. Stranded conductors under a plain screw is not allowed.
- 1.5.B. Exception: Conductors #10 AWG and smaller installed in flexible conduit at terminal connections of rotating, vibrating or moveable equipment shall be of stranded wire. Wire shall be terminated in an approved crimp type connector.
- 1.6. Provide continuous color coded conductors insulations for #8 AWG and larger.
- 1.7. Conductors for DC circuits shall have type XHHW insulation on conductors.
- 1.8. Hydraulic crimping tool dies shall impress the die's conductor size range into the crimp.
- 1.9. Neutral conductor capacity shall be increased, where necessary, for harmonic current. Apply the necessary NEC required de-ratings for current carrying conductors.

2. MC Cable

- 2.1. MC cable is allowed for device wiring within rooms with accessible ceilings and to device boxes in stud wall construction.
- 2.2. Each room shall be fed with a ¾" minimum home run conduit terminated at a junction box in the accessible ceiling space.
- 2.3. Cable shall be routed parallel or perpendicular to building members in a neat and orderly fashion.
- 2.4. Shall not be used on circuits larger than #10 AWG.

26 05 26 GROUNDING AND BONDING FOR ELECTRICAL SYSTEMS

1. General

- 1.1. **PROHIBITED:** Aluminum conductors
- 1.2. Provide continuous color green insulation for all equipment ground conductors.
- 1.3. Raceway systems shall incorporate a separate grounding conductor, integrally connected to all devices, the raceway and the building. Conduit, wireway or cable tray shall not be used as the equipment ground conductor.
- 1.4. Underground grounding systems:
 - 1.4.A. Provide a buried ground grid system under all medium voltage vaults (5 kV and above). The ground grid system shall be designed to IEEE 80 requirements or any other industry approved methodology that clearly provides empirical data to back up the design of the ground grid for medium voltage systems.

- 1.4.B. Ground grid shall be constructed of a minimum of 4/0 AWG copper conductors.
- 1.4.C. Ground rods shall be ¾ inch diameter and 10 feet long. Ground wells made of schedule 40 steel casing and backfilled with bentonite may also be required to achieve the proper step and touch potentials.
- 1.4.D. The ground grid system shall be bonded to the building perimeter ground loop, building “Ufer” ground, building steel, and lightning protection (if applicable).
- 1.4.E. Underground grounding connections shall be either exothermic weld type or non-reversible compression connectors that are compliant with IEEE Standard 837.
- 1.4.F. A minimum of two, 4/0 AWG, ground whips shall be installed from the ground grid up to each wall mounted ground bus, and to each equipment ground bus. Ground whips shall penetrate the slab on grade directly beneath the ground bus.
- 1.4.G. Bond ground grid to reinforcing steel or building steel a maximum of 50 foot intervals.
- 1.4.H. The University commissioning agent shall inspect and test, if necessary, the completed ground grid system prior to back-filling.
- 1.5. Provide a minimum of one ground bus per electrical vault with dimensions of 6 feet long by 4 inches wide by ¼ inch thick. Mount the bus on stand-off insulators 18 inches above the floor.
- 1.6. Ground compression connections in the high voltage electrical vault shall be 2 hole, UL 467 listed (e.g. ground conductor to ground bus).
- 1.7. All medium voltage circuits shall have one, 600 volt, 250 kcmil, green colored, equipment grounding conductor in all raceways.
- 1.8. All conduit with medium voltage circuits shall have ground bond bushings, and all cable tray with medium voltage circuits shall be bonded to ground with a 4/0 AWG conductor.
- 1.9. Use only non-metallic conduit for ground conductors run separately from phase conductors or common grounding electrode conductors. Supports encircling conduits shall be non-ferrous.
- 1.10. Install a minimum of two (2) 4/0 AWG copper bonding conductors for all medium voltage transformers, 15 or 5 kV switches, service entrance rated switchboards, and MCC’s.
- 1.11. Isolated ground systems shall have a single connection to the building ground system located in the building service electrical room.
- 1.12. Exterior lighting bases shall have a ground rod installed within the base and exposed a minimum of 3 inches above the concrete.

26 05 33 RACEWAY AND BOXES FOR ELECTRICAL SYSTEMS

1. General

- 1.1. Minimum conduit size shall be $\frac{3}{4}$ inch.
- 1.2. Below slab or underground conduit shall be schedule 40 PVC. PVC conduit is not allowed as an interior or exterior surface mounted raceway.
- 1.3. Conduit that penetrates a slab on grade in exposed areas (e.g. in mechanical rooms electric rooms, and electric vaults, closets, etc.) shall be made of rigid galvanized steel up to a height of 24 inches where it can transition to the specified building conduit.
- 1.4. Conduit installed on the exterior of the building and above grade shall be rigid galvanized steel.
- 1.5. All conduit for 15kV and 5 kV circuits shall be rigid galvanized steel.
- 1.6. Conduit can be encased in concrete walls and shall be schedule 40 PVC.
 - 1.6.A. **Prohibited:** Conduit encased inside the slab on grade.
 - 1.6.B. Encased conduit shall be bundled in designated routes and redlined on the design drawings by the contractor.
- 1.7. **Prohibited:** PVC coated conduit.
- 1.8. The use of flexible conduit shall be limited to recess lighting luminaries, motors and vibrating equipment, with a maximum length not to exceed 6 feet.
- 1.9. Conduit fasteners shall be compatible with the atmosphere of the area in which they are installed.

2. Underground Raceways (Non-Duct Bank)

- 2.1. Schedule 40 PVC, a minimum of 1 inch. Use schedule 80 PVC where exposed to potential damage.
- 2.2. Fiberglass elbows shall be used in buried PVC conduit runs or 2 inch and larger.
- 2.3. To locate concealed circuits in the future, install wiring for street lighting services within 24 inches of inner curb lines. Install wiring for site lighting within 12 inches of walkways.
- 2.4. Conduit can be routed parallel to but not under walkways and/or driveways, unless it is a perpendicular crossing.
- 2.5. All pedestrian and street lighting circuits shall be installed in conduit.

3. Electric Vault Raceway

- 3.1. All 13.8 kV and 4.16 kV circuits shall be installed in rigid galvanized steel conduit or heavy duty, aluminum ladder type cable tray.
- 3.2. Conduit size for all 13.8 kV circuits shall be a minimum of 4 inch conduit for 2/0 AWG, and 5 inch for 250 and 500 kcmil.

- 3.3. Size pull boxes (for circuits greater than 600 volts) in accordance with the NEC, and make them large enough to accommodate cable drip loops.
- 3.4. All conduit and boxes with 15 kV rated circuits shall be painted safety orange with the nominal voltage stenciled on it every 10 feet. All conduit and boxes with 5 kV rated circuits shall be painted red with the nominal voltage painted on it every 10 feet.

4. Steam Tunnel Raceway

- 4.1. All conduit in steam tunnels shall be rigid galvanized steel with cast fitting and boxes.

5. Parking Facility Raceway

- 5.1. Conduit for parking ramps shall be surface mounted (not placed within any encased concrete).
- 5.2. Shall be rigid galvanized steel for on all vertical surfaces, including transitions to horizontal.

6. Boxes

- 6.1. Use cast boxes with rigid galvanized steel conduit.
- 6.2. To reduce sound transmission, wall outlet boxes shall not be installed back-to-back in partitions.
- 6.3. Locate boxes that are installed in concrete block walls at the block joint.
- 6.4. Provide removable covers with grab handles for medium voltage pull boxes. Hinged covers are preferred where possible.
- 6.5. Paint the cover of all fire alarm boxes red.
- 6.6. Paint the cover of all network and communications boxes blue.
- 6.7. Surface boxes used on the exterior of a building, or on the site, shall be rated for outdoor use and weather-tight.
- 6.8. Floor boxes in slab-on-grade shall be rated for wet conditions. All other floor boxes shall be designed and rated to prevent water infiltration for carpet and floor cleaning.

26 05 36 CABLE TRAYS FOR ELECTRICAL SYSTEMS

1. General

- 1.1. **PROHIBITED:** Use of cable tray in the building for power wiring with the exception of 5 kV and 15 kV rated circuits in medium voltage electric vaults.
- 1.2. Please refer to the appropriate standards divisions for use of cable tray with other systems (e.g. fire protection, technology, etc.).

26 05 43 UNDERGROUND DUCTS AND RACEWAYS FOR ELECTRICAL SYSTEMS

1. Design and Installation

- 1.1. All medium voltage electrical distribution and building service entrance circuits shall be routed in underground duct banks.
 - 1.1.A. Include related U of M standard details in the contract documents and edit the drawings as required for the project.
- 1.2. A scaled duct bank plan and profile shall be included in the civil engineering contract documents with typical details referenced to the electrical contract documents. Plan and profile drawing shall, but not be limited to, include station markers, percent slopes of duct bank sections, degrees of bends, inverts of duct bank entrance into a structure, invert of manhole floor, grade elevations, height and width of manholes.
- 1.3. A cable pulling calculation shall be performed and submitted to the U of M electrical engineering staff to ensure the duct bank design does not exceed a cable sidewall pressure of 500 pounds/foot at any point in the duct.
 - 1.3.A. If the calculations indicate a restriction on the direction of pull, these restrictions shall be included in the contract documents.
- 1.4. All duct banks shall be sloped to drain away from building and into manholes. The slope shall be a minimum of 4 inches per 100 feet. Avoid trapped runs.
 - 1.4.A. If this requirement cannot be met and an exception is granted, the electric vault in the building shall be designed with a sump drain system.
- 1.5. Duct bank conduits shall not enter indoor equipment directly from the duct bank. Provide a pull box or other water break to prevent water from flowing from the duct bank into the equipment.
- 1.6. Shall have a minimum of 30 inches of cover.
 - 1.6.A. Exception: Unless required otherwise by obstructions or entrances to manholes or structures and must be approved by U of M electrical engineering staff.
- 1.7. Duct banks or conduits shall not be located within 5 feet of a buried steam line in any direction. If it becomes necessary to cross a steam line, University electrical engineering staff must approve acceptable insulation of crossing.
- 1.8. Use schedule 40 PVC, 5 inch conduit for medium voltage circuits.
 - 1.8.A. An additional one (1) inch empty conduit may be required at the top of the duct bank. Contact University electrical engineering department for requirements.
- 1.9. Conduit bends greater than 10 degrees must be made of either fiberglass with PVC couplings or rigid galvanized steel, and shall have a minimum radius of 60 inches.
- 1.10. Include steel reinforcing per the drawing details. Rebar shall overlap at the joints by a minimum of 18 inches, and shall have staggered joints.
- 1.11. Use PVC end bells at the ends of a duct bank into a structure. If rigid galvanized steel conduit is used, the ends shall have a grounding bushing.

- 1.12. The face of the duct bank shall be recessed with respect to the interior wall of the structure with a 2 inch chamfer.
- 1.13. Shall use standard conduit spacers with 2 inches between conduits and 3 inches on the bottom, top and sides. Conduit shall be supported a minimum of every 4 feet.
- 1.14. Conduit joints shall be staggered.
- 1.15. No conduit bellies or sags between supports or between manholes.
- 1.16. Conduits shall be cleaned, after installation, with a stiff wire brush sized for the conduit. Use of rags is not acceptable. A rubber squeegee, sized for the conduit, shall be used if there is mud in the conduit. Cleaning shall be witnessed by the Electric Utilities staff.
- 1.17. Conduit integrity shall be verified with a 5 inch mandrel. Pull through of mandrel shall be witnessed by University Electric Utilities.
- 1.18. Each conduit shall have a pull string with distance markers installed after verification with a mandrel.

2. Encasement

- 2.1. Duct bank shall be formed to minimize the width since underground space is a premium in many locations.
- 2.2. Concrete shall be rated a minimum of 3000 pounds and shall be allowed to cure for a minimum of 48 hours or have a minimum of 80 percent strength, whichever is greater, before back-filling.
- 2.3. A continuous concrete pour between manholes is preferred. If this is cannot be achieved, a step detail shall be used for cold joints and must be approved by the U of M electrical engineering staff.
- 2.4. A minimum of 3 inches of concrete cover over the top of the conduits.
- 2.5. Concrete shall be vibrated. Air pockets in the concrete will be subject to rejection of the duct bank construction.

26 05 43.19 MANHOLES AND HARDWARE

1. Manholes

- 1.1. Review layout, dimensions and routed of cable in all manholes with U of M electrical engineering staff during design to provide access, maintainability and space for extending feeders in the future.
- 1.2. The standard manhole inside dimensions are 12'W x 12'L x 7'H for main line duct bank routes. For dedicated runs to buildings, a 10'W x 10'L x 7'H inside dimension manhole may be used. Exceptions to these manhole sizes may be used, but must be approved by the U of M electrical engineering staff.
- 1.3. Can be pre-cast or cast-in-place.

- 1.4. Precast manholes cannot be clam type (i.e. two part manholes with the seam mid way up the wall).
- 1.5. Precast manhole sections must be sealed with a double row of mastic.
- 1.6. Windows in manholes can be field cut. However, the field cut must not exceed 1 inch of over cutting.
- 1.7. Manholes must be set level to avoid water from pooling in the corners.
- 1.8. Refer to typical manhole drawing for details on construction.
- 1.9. Non University Electric Utility personnel are strictly prohibited from entering any manhole containing energized cables, unless approved to do so by Electric Utilities.

2. Hardware

- 2.1. Manhole castings shall be Neenah Foundry catalog number R-1740-D2 or owner approved equal.
- 2.2. Steel galvanized ladders inside the manhole are not required.
- 2.3. Each manhole shall have 2 – 10' x 3/4" copper ground rods installed in opposite corners.
- 2.4. Each manhole shall have 2 – 24" x 4" ground buses installed on opposite walls. The ground bus shall have pre-drilled 1/2" holes with NEMA 2 hole spacing. Ground buses shall be installed 6 feet up from the floor of the manhole.
- 2.5. All ground components shall be bonded inside the manhole to the ground rods and both ground rods shall be bonded to each other. All ground connections in the manhole, including the wire lugs, shall be UL listed for underground use and shall comply with IEEE 837 standards.

26 05 53 ELECTRICAL SYSTEM IDENTIFICATION

1. General

- 1.1. Identification plates are required for electrical distribution equipment from the service through branch circuit panelboards, motors and motor control centers. Labels shall identify the operating voltage, equipment designation, and the source supplying the equipment.
- 1.2. All high voltage vaults shall be identified by their function and in numerical order (e.g. "HIGH VOLTAGE SWITCHING VAULT 1", or "HIGH VOLTAGE TRANSFORMER VAULT 2")
- 1.3. The primary service equipment, transformers and switchboards must be identified with an alpha-numeric label based on the vault number or the transformer serving that piece of equipment (e.g. "TRANSFORMER 1A" feeds "SWITCHBOARD 1A" or "TRANSFORMER 2B" feeds "SWITCHBOARD 2B").
- 1.4. 15 kV switchgear assemblies shall be identified by individual bay numbers on a per switch basis. Starting from left-to-right, the first switch would be identified as "BAY

101” if it is located in Vault 1. If it is located in Vault 2, it would be “BAY 201”. The next switch would be “BAY 102” or “BAY 202”. In addition to the bay number, each switch should identify the connected load. For instance, a switch may be labeled “BAY 101” on the first line, and “TRANSFORMER 1A” on the second line.

- 1.5. Nameplates on equipment shall be attached with stainless steel screws and shall be black with white lettering. They shall be 1/8 inch thick plastic plates with a minimum of 3/8 inch lettering. Larger 1 inch lettering may be required for main switchboards and distribution panels.
- 1.6. All 15 kV conduit and pullboxes shall be painted safety orange and stenciled with the voltage every 10 feet.
- 1.7. All 15 kV and 5 kV cable tray shall be stenciled with the voltage every 10 feet.
- 1.8. All 5 kV conduit shall be painted safety red and stenciled with the voltage every 10 feet.
- 1.9. All fire alarm box covers shall be painted red.
- 1.10. All communication box covers shall be painted blue.

26 08 00 ELECTRICAL COMMISSIONING

1. General

- 1.1. Commissioning of electrical systems shall be self-performed by the University or a University hired commissioning agent, unless noted otherwise in these standards for specific equipment.
 - 1.1.A. Commissioning should not be confused with the contractor’s standard pre-functional tests of items such as connections and wiring before it is turned over for commissioning.
 - 1.1.B. Commissioning of systems is a component testing and functional startup process that ensures the systems to operate as designed and specified.
- 1.2. The contractor’s role in commissioning should be indentified in the contract documents as a support role (i.e. removing panel covers, unbolting terminations, facilitating repairs of deficiencies identified during the commissioning process, etc.).
- 1.3. The contractor shall demonstrate or provide manufacturer’s representatives to demonstrate the equipment and systems to University personnel, including operation and maintenance.
- 1.4. Specify that the contractor shall test to ensure that there are no ground bonds in panelboards and shall megger all buses and conductors for stray grounds.
- 1.5. Include a reference in Division 26 to the University commissioning standards for scope and requirements of the University commissioning so it is clear to the contractor what has to be completed before items are permanently covered up or energized.

- 1.6. Costs associated with the University self performed commissioning will be a part of the project costs, but will not be included in the Division 26 contractor's scope.

2. A/E's Commissioning Responsibilities

- 2.1. Review of contract documents that clearly identify the design intent and define all operating sequences and functional requirements of the electrical service equipment, including protective schemes and automatic transfer schemes.
- 2.2. The commissioning specification in the contract documents, per these standards.
- 2.3. Resolution of design based deficiencies identified during the commissioning process.
- 2.4. Resolution of deficiencies identified during the commissioning process.
- 2.5. Retaining the services of an electrical testing contractor to perform verification tests.

3. Building Electrical Equipment and Systems to be Commissioned

- 3.1. The following equipment and/or installations will be component and functionally tested by the University commissioning agent:
 - 3.1.A. 15 kV and 5 kV switchgear.
 - 3.1.B. 15 kV and 5 kV cable.
 - 3.1.C. Main building service transformers.
 - 3.1.D. 600V Busway (if applicable).
 - 3.1.E. All circuit breakers with frame sizes 400 amps and larger, and all circuit breakers with adjustable trip settings.
 - 3.1.E.1. Requires A/E's overcurrent coordination study and settings.
 - 3.1.F. Metering and associated instrument transformers.
 - 3.1.G. Main switchboard GFI coordination, if applicable.
 - 3.1.H. Any switches 200 amps and larger.
 - 3.1.I. Ground grid beneath the high voltage vault and the building grounding. The contractor shall test the system ground fault performance when first installed and submit a report of the results. The University commissioning agent shall witness the test.
 - 3.1.J. Generator(s). Full load test to be provided by the Division 26 contractor. Refer to Engine Generator section 263213 for more detail and contractor requirements.
 - 3.1.K. Battery and/or UPS testing, if applicable. Full load test to be provided by Division 26 contractor.
 - 3.1.L. Lighting control. Part or all of this system may fall within the Division 23 building controls sub-contractor. Coordinate the contract documents

accordingly. Specify specialty lighting control system testing by the control system manufacturer.

4. Manhole and Duct Bank Commissioning

- 4.1. Duct bank construction shall be visually inspected by the University commissioning agent prior to concrete encasement and backfill.
 - 4.1.A. The contractor shall remove and replace construction that is concealed without such inspection at no cost to the University.
- 4.2. Manholes that are constructed on site or pre-cast manhole installation shall be witnessed and inspected by the University commissioning agent.
- 4.3. Brushing and proving of duct bank barrels shall be performed by the Division 26 contractor and witnessed by the University commissioning agent.

5. Permanent Building Power and Substantial Completion of Main Service Equipment

- 5.1. All medium voltage systems and building service equipment shall be commissioned prior to first energization of building electrical service facilities.
 - 5.1.A. All deficiencies identified during the commissioning process on the high voltage equipment and main service equipment shall be resolved and corrected prior to energization.
- 5.2. Refer to Section 260500, Part 4 for general service energization requirements.
- 5.3. The following requirements represent a minimum definition of substantial completion of the electrical service installation and shall be part of the project specifications. Additional requirements may apply to specific projects:
 - 5.3.A. A complete and up-to-date one line diagram of the main service equipment showing actual ratings and nameplate information of the installed equipment.
 - 5.3.B. All electrical inspections of the main service equipment must be complete and signed off by the University electrical inspector.
 - 5.3.C. The building envelope, medium voltage vault, and main service electrical room walls, floors, and ceilings shall be completed (per the room finish schedules) and provide protection of the equipment from wind, water, dust and physical damage.
 - 5.3.C.1. All touch up painting shall be completed in the high voltage vaults.
 - 5.3.D. All ground wires terminated and ground buses installed per Section 260526.
 - 5.3.E. Medium voltage vault and main electric service room floors and housekeeping pads shall be sealed.
 - 5.3.F. Doors, locks and stand-alone card reader shall be installed and operational (refer to Medium Voltage Vault requirements in Section 260500 for details).

- 5.3.G. Medium voltage conduit is painted safety orange and stenciled with the appropriate voltage. Cable tray with 13.8 kV feeders is stenciled with the voltage.
- 5.3.H. Permanent lighting and receptacles shall be installed and operational.
- 5.3.I. Minimal filtered vault ventilation shall be operational immediately after the equipment is energized. It is understood that full design ventilation will not be available until those systems are commissioned at a later date.
- 5.3.J. Work by all trades in the medium voltage vault shall be completed (e.g. HVAC, and fire alarm systems).
- 5.3.K. The HVAC “Off-Auto” switch installed in the vault and wired to the DDC system.
- 5.3.L. All electrical equipment shall be thoroughly cleaned inside and out, including wipe down of all bus, bus supports, compartments and devices.
- 5.3.M. The high voltage vault and main service electrical room shall be thoroughly cleaned, and all contractor materials and tools removed.
- 5.3.N. Training and demonstration of electrical equipment in the medium voltage vault and main service electrical room shall be completed.
- 5.3.O. O&M manuals for the equipment shall be submitted for review, approved and resubmitted in final form with the required number of copies. A minimum of one O&M manual set shall be placed in the medium voltage vault spare fuse cabinet.
- 5.3.P. Spare fuses, renewal parts and tools required for all of the equipment shall be supplied and be placed in the medium voltage vault.
- 5.3.Q. University installed mimic buses on the front of the electrical equipment shall be completed (Mimic bus furnished and installed by the University).
- 5.3.R. All University approved equipment nameplates (including the COMPASS nameplates) are installed.
- 5.4. The equipment shall be substantially complete prior to the electrical contractor’s request for first energization from the campus distribution system. University Electric Utilities shall be notified in writing after substantial completion.
- 5.5. The electrical contractor shall provide a qualified electrician to serve as a full-time escort for unqualified personnel that are given access to the electrical vault during the construction period between initial energization and final completion.
- 5.6. The medium voltage vault shall not be used to store materials, used as an office space, break room, or for any other activity than its design intent.

26 09 00 INSTRUMENTATION AND CONTROL FOR ELECTRICAL SYSTEMS

1. Electrical Power Monitoring (SCADA)

- 1.1. The University Energy Management department operates a Supervisory Control And Data Acquisition System (SCADA) for the 13.8 kV distribution system and for the building main service electrical equipment. The SCADA system is a “front end” near real time database with a graphical user interface (GUI). It scans Intelligent Electronic Devices (IED) on the primary distribution system and in the building main service equipment for analog metering values, device status, and remote alarms.
- 1.2. Within a building, the SCADA system monitors the following:
 - 1.2.A. 15 kV switch position (open-closed).
 - 1.2.B. Main service transformer winding high temperature alarm.
 - 1.2.C. Main service circuit breaker status (open-close & racked in-racked out).
 - 1.2.D. Tie breaker status (open-closed & racked in-racked out).
 - 1.2.E. Revenue meter analog values.
 - 1.2.F. Emergency generator “run”, “trouble” and “shutdown” status.
- 1.3. The meter that is installed within the main service equipment not only functions as the revenue meter, but also as a mini remote transmitting unit (RTU) for monitoring the status points listed above. If there are more status points than is available on the meter, then a supplemental I/O device is furnished and installed by the University to monitor these points.
- 1.4. The SCADA system communication infrastructure is an Ethernet based network. The network used for SCADA is the same private vendor network used for the building automation system. Therefore, the local revenue meters in the building are connected to the private vendor network via a network switch furnished and installed by the building automation system (Division 23) sub-contractor. This private network is not to be confused with the general University network, installed by our OIT group, where office computers and printers are connected.
- 1.5. SCADA equipment, outside of the revenue meters, is furnished and installed by the University. This equipment typically consists of a network switch, an I/O device and a small UPS mounted in a wall mounted box or a small rack. The box or rack will be mounted in the high voltage vault. Space shall be reserved in the vault for this equipment.
- 1.6. Interconnecting wiring will be furnished and installed by University Electrical Utilities.
- 1.7. Conduit and raceway for SCADA wiring between equipment and to the SCADA box/rack shall be furnished and installed by the Division 26 contractor.
- 1.8. A 120 volt, 20 amp, dedicated circuit shall be installed by the Division 26 contractor to the SCADA box/rack location. The 120 volt circuit shall originate from an emergency panel.

- 1.9. A 120 volt, 20 amp, dedicated circuit shall be installed by the Division 26 contractor to the each revenue meter control power system. The 120 volt circuit shall originate from a standby panel. If no standby systems exist, then the circuit shall originate from an emergency panel.
- 1.10. Set up of the SCADA communications and programming of the SCADA devices (including the revenue meters) will be by the University electrical engineering staff.

2. Lighting Control

- 2.1. Basic on/off lighting control shall be incorporated into the building DDC system. The responsibility of this programming shall fall under the Division 23 control system contractor. A sequence of operations for the lighting shall be included in the specifications for the Owner's review.
- 2.2. Specialized lighting control shall be specified under Division 26. The lighting control shall be able to be integrated into the building DDC system using BACNet protocol, and shall be configurable with simple software and local interface. Customized programming that requires a service technician to compile and install is not acceptable.

26 11 13 PRIMARY UNIT SUBSTATIONS

1. General

- 1.1. Primary Unit Substations (PUS) shall be located in the high voltage vault for operation and maintenance by the University Electric Utilities department.
- 1.2. All buildings shall receive two 13.8 kV, primary selective, radial feeders to be connected to 15 kV class switchgear. For a building where continuous electrical service is essential, utilize a minimum of two PUS's arranged in a main-tie-main configuration with both primary and secondary ties.
 - 1.2.A. The option of implementing a primary, 13.8 kV automatic switching scheme needs to be discussed with the University electrical engineering staff before the start of the design.
- 1.3. Dual 13.8 kV feeders to a building shall have the following switchgear arrangements (See also Figures 1 & 2 for typical arrangements).
 - 1.3.A. Single transformer feeding the entire building: Duplex switch with common bus primary selective, two incoming, non-fused switches with a transformer fuse bay off of common bus.
 - 1.3.B. Multiple transformers feeding the building: Split bus 13.8 kV primary with tie switch. Two incoming, non-fused switches and a non-fused tie switch. Fused transformer feeder switches split between the two buses.
- 1.4. The basic configuration of a PUS shall be composed of 15 kV class fused disconnect switch, dry-type power transformer, and a main secondary disconnect device. However, the physical assembly of this configuration can take on a variety of

arrangements. Refer to the Sections 261216, 261316 and 262413 of this standard for further details on this equipment. Also refer to Figures 1 through 3 for typical one line diagrams of a PUS.

- 1.5. For a building where there are chillers installed, each chiller shall have its own dedicated PUS, or shall be powered from a main-tie-main PUS that is dedicated to serving multiple chillers. The chiller PUS shall not have non-chiller related building loads connected to it (e.g. lighting, receptacles, fans, etc.).
 - 1.5.A. The secondary voltage of a chiller PUS can be either 480 volt or 4160 volt.
- 1.6. The primary disconnect switch for each PUS does not have to be close coupled to the transformer, but must be in visible sight from the transformer location. If the transformer is located in another high voltage vault from the main incoming 15 kV switchgear, a non-fused primary disconnect switch must be added to the transformer for maintenance purposes.
- 1.7. The main secondary disconnect device must be a draw-out device for a visible disconnect, and can be located either in the high voltage vault or in the nearby low voltage electrical room. If it is located in the high voltage vault, it will be inaccessible to the building facilities management personnel. Therefore, a similar disconnect device must also be located at the main service switchboard. The main disconnect device can only be located in the low voltage electrical room if the tap off of the transformer meets all code requirements.
- 1.8. **PROHIBITED:** The secondary electrical connection between the PUS transformer and the main secondary circuit breaker (located outside of the vault) shall not be comprised of bus duct or busway. Only cable and conduit is allowed.

26 12 16 DRY-TYPE MEDIUM VOLTAGE TRANSFORMERS

1. General

- 1.1. Medium voltage transformers shall be dry-type. Oil-filled transformers are not allowed without approval from the U of M electrical engineering staff.
 - 1.1.A. Cast coil transformers may be required for applications in adverse environmental conditions, however, this is rarely required and should be discussed with the University electrical engineering staff before specifying.
- 1.2. Transformers shall sized for natural cooling. Forced air fans are not allowed without approval from the U of M electrical engineering staff.
- 1.3. Transformers shall be sized to support all building loads and allow for an additional 20 percent future growth.
- 1.4. Due to upstream protective relay coordination limitations, transformers shall not exceed 1500 kVA air-to-air rating with a maximum 125E primary protective fuse.
- 1.5. Transformers that are not within eye-sight of their primary disconnect device shall be equipped with a 15 kV rated disconnect switch.

- 1.6. The transformer shall have AB Chance type grounding ball studs mounted on the primary terminals or on the close-coupled, primary disconnect switch, and on the ground bus. Ball studs must be accessible, after removing a cover or opening a door, with a hot-stick tool for attaching a grounding cluster. The minimum working clearance for this is 72 inches.
- 1.7. Provide a minimum of 72 inches of clearance in front of the transformer. Provide a minimum of 30 inches from walls or from other equipment to the rear. If any rear access for maintenance is required, then the rear clearance shall be 72 inches minimum.

2. Design

- 2.1. Transformer windings can be aluminum or copper.
- 2.2. The core and coil shall:
 - 2.2.A. Comply with ANSI C57.12.01 and other applicable codes.
 - 2.2.B. Be tested per ANSI C57.12.91
 - 2.2.C. Have a 220 degree C Vacuum Pressure Impregnated (VPI) insulation system.
 - 2.2.D. Have a 115 degree C, maximum, temperature rise and comply with the Minnesota Energy Code.
 - 2.2.E. Have a standard 5.75 percent impedance down to a minimum 5 percent, unless specific design considerations dictate otherwise.
 - 2.2.F. Have a 95 kV primary BIL and 30 kV secondary BIL rating without the use of surge arrestors.
 - 2.2.G. Have a 13.8 kV Delta primary winding and a 480-277V or 208-120V Grounded-Wye secondary winding.
 - 2.2.H. Transformer primary windings shall be disk type.
 - 2.2.I. PROHIBITED: Layer or barrel windings.
 - 2.2.J. Include two, 2-1/2 percent taps FCAN and two, 2-1/2 percent taps FCBN. Tap connections shall be on the front side of the transformer.
 - 2.2.K. Have a maximum 62 dB noise level.
 - 2.2.L. Have 10 kV MCOV surge arrestors mounted at the primary terminals. Arrestors shall be bonded to ground with a copper conductor and shall not use the frame of the enclosure as the ground path.
- 2.3. Each transformer shall have a digital fan controller with a temperature sensor in each winding. The controller shall have manual and automatic control with a temperature readout for each winding and for the peak winding temperature. The controller shall be programmable to automatically test cooling fans (when approved) and shall have dry type alarm contacts for remote monitoring. Fan controller shall be powered by an external 120 volt source. Internal control power transformers are not allowed.
- 2.4. Primary bus bars shall not be supported by red glastic board.

- 2.5. The minimum distance from the point where the 15 kV cable enters the transformer compartment to the primary terminals shall be 36 inches.
- 2.6. Include a knock-down enclosure that allows the core and coil to be removed without disturbing adjacent equipment sections.
- 2.7. Provide a continuous, internal ground bus through all sections of a primary unit substation, including primary and secondary switch bays, and the transformer where applicable.
- 2.8. Provide vibration isolation between core and mounting structure and flexible bus connections to primary and secondary terminals to minimize noise transmission.

26 13 16 MEDIUM VOLTAGE FUSIBLE INTERRUPTER SWITCHGEAR

1. General

- 1.1. Provide a dual primary selective feed to each 13.8 kV service point in the building.
- 1.2. Switching equipment shall be indoors and shall be metal-enclosed, air-insulated, manually operated and contain load interrupter switchgear.
 - 1.2.A. SF₆ insulated, vault style switchgear is an alternate option for special circumstances. This option must be discussed with the University electrical engineering staff.

2. Switchgear Operation

- 2.1. Normal operation of the switchgear is to have the two main incoming switches normally closed and the tie switch normally open.
- 2.2. Primary switchgear with dual primary selective feeders shall be able to perform closed-transition-transfer between sources without interrupting service to the building. To prevent accidental paralleling of the two incoming sources, Kirk key mechanical interlocks shall be provided for the main-tie-main switches. However, additional keys shall be provided as necessary to perform the closed transition switching.

3. Switchgear General Construction

- 3.1. Shall be compliant with the relevant ANSI, IEEE, and UL standards.
- 3.2. Rear access switchgear is required with a minimum of 5 feet of clearance behind the switchgear. Front access only switchgear is not preferred.
 - 3.2.A. Sufficient cable space for training, termination and mechanical support must be provided for 500 kcmil, 15 kV single conductor cables.
- 3.3. Copper bus with full voltage epoxy coated insulation or insulated sleeves, and removable boots for all bolted connections including the cable termination points.

- 3.4. Fully grounded metal barriers between bays, including the main bus compartment, with insulating bushings for bus penetrations.
- 3.5. Continuous 2" x 1/4" copper ground bus through all bays. A larger ground bus may be specified if needed to accommodate proper ground protection.
- 3.6. External operating handle with padlock that clearly indicates switch position. The switch handle shall be lockable in both the open and closed positions.
- 3.7. Phase arrangement A-B-C, left to right, front to back and top to bottom as viewed from the front.
- 3.8. All switches must open in a downward direction to be failsafe open if the mechanical linkage fails.
- 3.9. Safety glass viewing window that allow all switchblades to be seen in the open and closed positions.
- 3.10. Warning signs and labels in accordance with NEC and OSHA regulations.
- 3.11. One N.O. and N.C. aux contact per switch or breaker that follows operation. Aux contacts shall be wired out to a terminal block on the outside of the switch enclosure with labels identifying the contact type. Terminal block shall be mounted in a box.
 - 3.11.A. Aux contacts shall be rated for the applied wetting voltage.
- 3.12. A mimic bus will be applied on the front of the switchgear by the University after installation by the contractor.

4. Minimum Ratings

- 4.1. Nominal voltage: 13.8 kV
- 4.2. Maximum design voltage: 15 kV
- 4.3. Basic Impulse Level (BIL): 95 kV
- 4.4. Continuous Current: 600 A
- 4.5. Load Break Current: 600 A
- 4.6. Parallel or Loop Switching Current: 600 A
- 4.7. Short Circuit Withstand Current: 25 kA RMS Symmetrical
- 4.8. Momentary Current: 40 kA RMS Asymmetrical
- 4.9. Close and Latch Current: 40 kA RMS Asymmetrical
- 4.10.

5. Nameplates

- 5.1. A stainless steel equipment rating nameplate shall be mounted on the exterior of the switchgear and shall contain the following information:
 - 5.1.A. Manufacturer's name
 - 5.1.B. The assembly or drawing number

- 5.1.C. Operating (nominal) voltage
- 5.1.D. Maximum design voltage
- 5.1.E. Basic Impulse Level (BIL)
- 5.1.F. Continuous and Load Break current
- 5.1.G. Short circuit interrupting current
- 5.1.H. Close and latch current
- 5.1.I. Momentary current
- 5.2. A stainless steel fuse rating nameplate shall be mounted on each switch bay with a fuse and shall contain the following information:
 - 5.2.A. Name of the fuse manufacturer
 - 5.2.B. Fuse holder catalog number or style number
 - 5.2.C. Maximum fuse or fuse clip continuous current
 - 5.2.D. Fuse refill catalog or style number, ampere size, voltage rating, and short circuit rating.
- 5.3. Refer to Section 260553 for equipment identification nameplate requirements.

6. Automatic Transfer Functionality

- 6.1. Where medium voltage automatic transfer functionality is required of the switchgear, the A/E shall discuss the requirements with the University electrical engineering staff for further detail.

26 18 16 MEDIUM VOLTAGE FUSES

1. General

- 1.1. Fuses and fuse clips shall be S&C expulsion type. NO EXCEPTIONS.
- 1.2. Fuse mountings shall be designed to be operated with a hot stick tool.
- 1.3. Provide three spare fuses or fuse refills of each size used.
- 1.4. Switch shall be capable of being energized with the fuse in the open position.
- 1.5. Furnish and install a wall mounted spare fuse cabinet. Cabinet shall have a hinged door and shall be painted. The dimensions of the cabinet shall be a minimum of 36"W x 36"H x 12"D.
- 1.6. Provide a hot stick tool for removal and installation of fuses.
- 1.7. Fuse minimum ratings:
 - 1.7.A. Nominal voltage: 13.8 kV
 - 1.7.B. Maximum Design Voltage: 15 kV
 - 1.7.C. Short Circuit Interrupting Current: 25 kA RMS Symmetrical

1.8. Insulating barriers shall be provided between each fuse clip.

2. Fuse Sizing

2.1. The following fuse sizes shall be use for medium voltage building transformers:

- 500 kVA = 30E
- 750 kVA = 40E
- 750/1000 kVA = 50E
- 1000 kVA = 50E
- 1000/1333 kVA = 65E
- 1500 kVA = 80E
- 1500/2000 kVA = 100E

26 22 00 LOW VOLTAGE TRANSFORMERS

1. General

1.1. Locate transformers in accessible, ventilated, cool, dry, clean areas.

1.1.A. Where these conditions cannot be provided, specify transformers that are suitable for the environment.

1.2. Transformers shall comply with the Minnesota Energy Code, minimum efficiencies.

1.2.A. For exceptions to the Energy Code, specify dry type transformers 25 kVA and above, for a maximum of 115 degrees C temperature rise above a 40 degree C ambient temperature, with a 220 degree C rated insulation system.

2. Construction

2.1. Winding material shall be aluminum or copper.

2.2. Sound levels shall be consistent with the use of the building areas adjacent to the transformer. Sound levels shall not exceed ANSI standards. In areas of very low ambient noise level such as libraries and reading rooms, use transformers with lower sound levels.

26 24 13 SWITCHBOARDS

1. General

1.1. Provide a distribution class switchboard(s) for the building. The building main 480 volt or 208 volt switchboard shall be considered the service entrance point to the building and shall be specified as such.

1.2. Shall be designed to the latest applicable UL, ANSI and NEMA requirements.

- 1.3. The main secondary disconnect device to the building transformer shall incorporate a visible disconnect. This means it needs to be either a draw-out type circuit breaker or a bolted pressure switch with a viewing window. Mechanical indicators are not an acceptable alternate. If the switchboard is a main-tie-main arrangement, the tie breaker/switch shall have the same draw-out requirements as the main disconnect device.
- 1.4. Where draw-out circuit breakers are provided, specifications shall require a portable lifting and transport device compatible with the circuit breakers.
- 1.5. A switchboard with a main-tie-main arrangement shall be able to perform closed-transition-transfer between sources without interrupting service to the building. In addition, Kirk key mechanical interlocks shall be provided for the main-tie-main switches to prevent accidental paralleling of the mains. However, additional keys shall be provided as necessary to perform the closed transition switching.
- 1.6. Specify fault current ratings on the main-tie-main switchboards to be capable of withstanding the available fault current from both sources with both mains and the tie breaker closed.
- 1.7. A spare breaker of each frame size shall be specified in the contract documents, with the exception of the mains and tie breakers which are interchangeable.
- 1.8. A secondary injection test device shall be specified in the contract documents for testing the tripping circuit of each breaker.
- 1.9. Specifications shall require complete physical layout, schematic, and wiring diagrams be submitted for review by the University electrical engineering staff. All control wiring shall be permanently labeled at both ends with opposite end wire markers that correspond to the wiring diagrams.
- 1.10. 120 volt control power for the switchboard shall come from an internal control power transformer. CPT shall not be located in the transformer enclosure.
- 1.11. For maintenance and operations purposes, the University Electric Utilities department is responsible for all building electrical service infrastructure down to the main secondary disconnect device. The operation of downstream devices from the main secondary disconnect is the responsibility of the building facilities management.
- 1.12. The switchboard should be located in an electrical room outside of the 3 hour rated high voltage vault in order to provide maintenance and operation access for building facilities management.

2. Switchboard Construction

- 2.1. All current carrying and grounding components shall be made of copper.
- 2.2. Include a continuous ground bus through the entire length of the switchboard. The ground bus shall be mounted in the front for front accessible only equipment and in the back for rear accessible equipment.
- 2.3. Circuit Breakers:

- 2.3.A. The mains and tie breakers shall have the same frame size and shall be interchangeable.
- 2.3.B. All circuit breakers shall have field replaceable, current sensing plugs.
- 2.3.C. All circuit breakers shall have the minimum adjustable setting: Long time pickup (LTP); Long time delay (LTD); Short time pickup (STP); Short time delay (STD); Instantaneous (Inst). Where ground fault detection is required by code, all breakers (including main, tie and feeders) shall have adjustable ground fault pickup (GFP) and ground fault delay (GFD).
- 2.3.D. Trip units for circuit breakers shall have LED indication on the front of the unit flagging the type of overcurrent trip that was detected. If the trip units have digital displays, there shall be external power to the trip units to allow them to display the full range of current through the breaker.
- 2.3.E. The main and tie breakers shall have a shunt trip device wired out to terminal blocks for future remote tripping.
- 2.3.F. Specify a minimum of 2 N.O. and 2 N.C. auxiliary contacts on the main and tie breakers wired out to terminal blocks for remote monitoring of the breaker open/close status.
- 2.3.G.
- 2.4. Instrument Transformers:
 - 2.4.A. Potential Transformers:
 - 2.4.A.1. PT accuracy shall be 0.6 for X burdens.
 - 2.4.B. Current Transformers:
 - 2.4.B.1. Specify a minimum thermal rating of 1.5.
 - 2.4.B.2. CT metering accuracy shall be a minimum of 0.6 at a burden B-0.9
 - 2.4.B.3. CT minimum relay accuracy shall be:
 - 2.4.B.3.a. Up to 50:5 C20
 - 2.4.B.3.b. 75:5 thru 300:5 C50
 - 2.4.B.3.c. 400:5 thru 1000:5 C100
 - 2.4.B.3.d. 1200:5 and higher C200
- 2.5. Undervoltage/Phase-loss relay:
 - 2.5.A. Provide each main breaker position with a three-phase undervoltage/phase loss relay that is to be used for alarming purposes only. The function of the relay is to provide a dry contact alarm for the University BSAC monitoring system which will notify operators that there has been a loss of power in the building. Do not trip the main breaker with this relay.
 - 2.5.B. The relay dropout setting must be adjustable down to 50 percent of nominal voltage.

- 2.5.C. The relay must have a dropout time delay setting up to 1 minute to allow it to ride through voltage transients.
 - 2.5.D. The relay voltage sensing must be on the load side of the main breaker and must have a three pole disconnect switch for maintenance.
 - 2.5.E. The relay outputs must be wired to terminal blocks for connection by the Division 23 controls sub-contractor.
 - 2.5.F. Each relay shall be mounted in its respective instrument compartment with an empty $\frac{3}{4}$ conduit installed from the instrument compartment to a junction box outside of the electrical room for connection by the Division 23 sub-contractor.
- 2.6. Surge Protective Device (SPD)
- 2.6.A. Each substation shall be provided with a surge protective device.
 - 2.6.B. A means of disconnect shall be provided. Disconnect device shall be accessible without removing any covers.
 - 2.6.C. UL listed.
 - 2.6.D. Utilizes metal oxide varistor (MOV) technology.
 - 2.6.E. Shall be equipped with a surge counter display.

26 24 16.13 PANELBOARDS

1. General

- 1.1. Provide four (4) spare 1 inch conduit stubs from flush panels into drop down ceiling space or other accessible space.
- 1.2. Panelboards shall not be installed in hallways, corridors or public spaces.
- 1.3. Maximum quantity of branch breakers per panelboard shall be 42.
- 1.4. PROHIBITED: Sub-feeds from one panelboard to another panelboard in a different area of a floor or on an entirely different floor. Sub-feeds are only allowed to neighboring panels that serve common loads.

2. Construction

- 2.1. Bus material shall be copper.
- 2.2. Front trim shall be hinged.
- 2.3. Provide a latch, lock and key set on the door covering the circuit breakers.
- 2.4. Circuit breakers shall be bolt on type.
 - 2.4.A. Tandem circuit breakers are prohibited.
- 2.5. Series rated panelboards are prohibited.

- 2.6. Furnish each panel with a clear, plastic covered, typed circuit schedule. The schedule shall identify circuits by the final room numbers.
 - 2.6.A. Include the schedule for panelboards in the design documents.
 - 2.6.B. The design document circuit schedule shall include the following information: Voltage; Phase/Wire; Main Bus Rating; Main Breaker/Lug Rating; Short Circuit Rating; Circuit Numbers; Branch Circuit Current Rating; Number of Poles; Load Description; Connected VA.
- 2.7. Furnish a nameplate with the panelboard ID. Include the operating voltage and piece of equipment that the panelboard is fed from.

26 25 00 ENCLOSED BUS ASSEMBLIES

1. General

- 1.1. The use of busway is not preferred due to reliability issues and difficulty of finding future replacement parts.
- 1.2. Where bus duct runs vertically through a floor, include curbs around the floor penetration.
- 1.3. **PROHIBITED:** Bus duct is not allowed to be used between the main building transformer (primary unit substation) and the main secondary disconnect.
- 1.4. Bus risers must have redundancy to allow for unplanned outages. Redundancy should be a separate but nearby riser that can back energize the other riser.

2. Construction

- 2.1. Bus material shall be copper.
- 2.2. Shall have separate 50 percent ground bus. Plug-in devices shall also have an integral, built-in ground connection for attachment to the bus ground.
- 2.3. Shall be sprinkler proof where necessary.

26 27 13 METERING

1. General

- 1.1. Each main breaker position shall be equipped with a Schweitzer Engineering Laboratories, Inc. (SEL) meter. The specific meter part number shall be furnished by the University electrical engineering staff.
- 1.2. The specification shall specifically call out that the meter shall be registered to the University of Minnesota and not the contractor purchasing the equipment.
- 1.3. The meter and all associated devices shall be mounted on the door of a dedicated instrument compartment or within the compartment.

- 1.4. The top of the meter shall not be mounted higher than 72 inches up from the finished floor.
- 1.5. Control power to the meter shall be fused.
- 1.6. Voltage sensing wiring shall originate from the line side of the main breaker and shall be fused with a 3-pole disconnect switch. 480 volt systems, and higher, shall use potential transformers (PT) in a grounded-wye configuration to reduce the voltage to 120 volts line-to-ground. Both the primary and secondary sides of the PT's shall be fused.
- 1.7. Current sensing shall come from three current transformers (CT), with all 6 leads of the CT's wired to a shorting type terminal block.
- 1.8. The CT's shall be grounded at one point at the shorting type terminal block and the shorting strip on the terminal block shall not be used as the permanent jumper for the non-polarity CT wiring.
- 1.9. The CT ratio for the metering shall take advantage of the overload thermal rating and shall be discussed with the University electrical engineering staff.
- 1.10. One N.O. main and tie breaker aux contact shall be wired to an input on the respective meter for remote monitoring by the University SCADA system. The tie breaker aux contact can be wired to either main breaker meter.
- 1.11. One N.O. transformer temperature monitor alarm contact shall be wired to an input on the respective meter for monitoring by the University SCADA system.
- 1.12. All spare inputs and outputs shall be wired to terminal blocks.
- 1.13. Double lugging of control wiring on the meter terminal blocks is not allowed.
- 1.14. Each meter shall be equipped with an Ethernet port for communications back to the University SCADA system.

26 27 26 WIRING DEVICES

1. General

- 1.1. Minimum quality for devices shall be specification grade.
- 1.2. General purpose wiring devices shall be brown or gray.

2. Receptacles

- 2.1. Receptacles and switches shall be screw-clamp type and rated for 20 amps at their operation voltage.
- 2.2. Provide duplex GFCI receptacle mounted 42 inches above each floor in all pipe spaces, pipe shafts, duct shafts, attic space, tunnels, garages, maintenance spaces, and mechanical equipment spaces.
- 2.3. Provide 3 phase, 60 amp, 208 volt rated welding receptacles in mechanical spaces.

- 2.4. Receptacles on emergency and standby power circuits shall be identified with an “Emergency” label or colored red.
- 2.5. Receptacles with an isolated ground shall be labeled with “Isolated Ground”.
- 2.6. Receptacles must be provided on the ground floor of all stairwells and elevator lobby banks in parking facilities.

3. Floor Maintenance Equipment Receptacles

- 3.1. For corridors, large assembly areas and other areas where floor maintenance equipment is used, locate receptacles so that a 45 foot cord will reach any part of the floor.
- 3.2. Each receptacle location shall have a duplex, 120 volt, 20 amp outlet, served by two circuits.

4. Switches

- 4.1. Toggle and key type wall switches for lighting loads shall be quiet type, rated 20 amps and 120 or 277 volts.
- 4.2. Switches in high voltage electric vaults shall be 3-way type with illuminated toggles.

5. Wall Plates

- 5.1. Wall plates shall be satin finish stainless steel.
 - 5.1.A. No. 430 magnetic stainless steel in non-corrosive locations.
No. 302 non-magnetic type stainless steel in corrosive locations such as pools and laboratories.

26 28 16 ENCLOSED SWITCHES AND CIRCUIT BREAKERS

1. General

- 1.1. Piggy-back or tandem circuit breakers are prohibited.
- 1.2. Switch and circuit breaker enclosures located in corrosive areas, such as pools, laboratories, and cooling towers, shall be made of stainless steel.

2. Enclosed Switch Construction

- 2.1. Shall be heavy duty.
- 2.2. Specify rejection type fuse holders where current limiting fuses are used.
- 2.3. Spare fuses must be specified with fused switches.
- 2.4. Switch must be lockable in the open position.

26 29 13 ENCLOSED CONTROLLERS

1. General

- 1.1. In areas where there are a reasonable number of three-phase motors, provide a motor control center.
- 1.2. Motors 100 horsepower or larger shall be started with a reduced voltage starter, a wye-delta starter, an electronic soft starter, or a VFD.
 - 1.2.A. A motor starting analysis shall be submitted to the University electrical engineering staff that verifies the system voltages will not dip below 90 percent upon the starting of the largest motor under system full load conditions.
 - 1.2.B. Consideration shall be given to using a 4160 volt system for motors 1000 horsepower or larger.
- 1.3. Motors controllers shall be NEMA rated.
- 1.4. Control circuit voltage shall be 120 volts or less.
- 1.5. Each motor starter shall have its own control power transformer.
- 1.6. Duplex Pumps: Each unit shall be labeled and have its own on/off control. Incorporate an alternator, software or mechanically, that allows it to stop and automatically restart via the building automation system. Include an auto-backup feature.
- 1.7. Specify hand/off/auto (HOA) automatic control for fan motors operated via the building automation system.
- 1.8. Specify each starter to include a red indicating LED light for “Running” status and a green LED indicating light for “Stop” status.
- 1.9. Incorporate a minimum of four auxiliary contacts (2 N.O. and 2 N.C.) in each starter.
- 1.10. Include a schedule in the design drawings for the motor control center.

26 29 23 VARIABLE FREQUENCY MOTOR CONTROLLERS

1. General

- 1.1. Minimum level of performance shall be compliant with IEEE 519 criteria for a general distribution system, modified as appropriate for the specific project.
 - 1.1.A. The harmonic analysis shall encompass the entire electrical system on a per voltage basis. A harmonic analysis of just the VFD’s being supplied by a vendor is not acceptable.
 - 1.1.B. Harmonic mitigation equipment shall be applied as required to meet IEEE 519 requirements.
- 1.2. Where specifications permit high-carrier frequency or IGBT output devices, address requirements for motor over-voltage surge protection as part of the design.
- 1.3. Clearly assign responsibility for VFD/motor compatibility in the specifications.
- 1.4. Specify the following VFD performance features:

- 1.4.A. Minimum efficiency at full load: 95 percent.
- 1.4.B. Minimum displacement PF at full load: 95 percent.
- 1.4.C. Adjustable thermal overload protection: Class 10, 20 and 30.
- 1.4.D. Programmable minimum frequency.
- 1.4.E. Overload capability: 110 percent for variable torque application, and 140 percent for constant torque applications.
- 1.4.F. Carrier frequencies (in excess of 3,000 Hz) shall be adjustable.
- 1.4.G. Automatic restart and ability to start into rotating motor.
- 1.4.H. Ability to operate the VFD with the motor disconnected for trouble-shooting and maintenance.
- 1.4.I. Minimum of five critical frequency lockout ranges.
- 1.4.J. Minimum of two programmable digital contact outputs for status and VFD failure (Typically 0-10 VDC or 0-35 mA input).
- 1.4.K. Minimum of two programmable digital inputs for preset speed selection.
- 1.4.L. Integral closed loop PID controller.
- 1.4.M. English language display. Alpha-numeric codes are not acceptable.
- 1.4.N. RS485 serial communication and Ethernet port for communication to the building DDC system.
 - 1.4.N.1. Available protocols shall be Modbus and BacNet.
- 1.4.O. Field wiring terminal boards (identified on the drawings) for all customer connections.
- 1.4.P. 24 month factory warranty.

26 32 13 ENGINE GENERATORS

1. General

- 1.1. Generator and prime mover shall be direct-coupled.
- 1.2. Generators shall not be considered for peak shaving, unless approved by the University.
- 1.3. Generators used for emergency systems shall have an on-site fuel source and a minimum run time as required by the applicable codes.
 - 1.3.A. Generator run times may be required to be extended based on specific requirements of the facility, research certifications or user requests. The A/E shall be responsible for determining any needs for extended run times.
 - 1.3.B. Generators not used for emergency backup or legally required systems may have the option of using natural gas for a fuel. The A/E is responsible for

determining if the natural gas supply is sufficient for the generator and will not impact other natural gas loads on the same service line within the building.

- 1.4. Specify a method of damping vibration and noise to acceptable levels. Generators located above classrooms, labs, study areas, libraries, etc. shall be given special consideration for vibration and noise. The A/E shall submit the methods for how vibration and noise will be mitigated.
- 1.5. Generators shall be a 4 wire grounded source.
- 1.6. Auxiliary alarm contacts shall be provided as follows:
 - 1.6.A. “Engine Run” contact to be provided and wired to the building DDC system for annunciation to the University BSAC department by the DDC contractor.
 - 1.6.B. “Engine Run”, “Engine Trouble”, “Engine Shutdown” and “Low Fuel” contacts to be provided for the University electrical SCADA system. Responsibility for raceway and wiring to be reviewed with the University electrical engineering staff.
- 1.7. Provide auxiliary contacts for the battery charger alarm(s). The alarm shall be wired to the University electrical SCADA system. Responsibility for raceway and wiring to be reviewed with the University electrical engineering staff.
- 1.8. Generator electrical output shall be metered with a University approved meter. The meter shall be integral to the generator distribution equipment or separately mounted on a University approved box. The meter shall have an Ethernet port and shall utilize DNP protocol.
- 1.9. Voltage and frequency steady state regulation, electronic speed regulation and transient performance shall be specified for all classes of load and load rejection.
- 1.10. Provisions for connection of an owner furnished, portable load bank shall be provided for code required testing and maintenance.
 - 1.10.A. The connection shall accommodate a portable generator to be used when the permanent generator is disabled.
 - 1.10.B. The connection point shall be at the exterior of the building, at grade or a location accessible by a portable generator.
 - 1.10.C. Provide 200 amp Cam-Loc connectors paralleled to achieve required ampacity.
 - 1.10.D. Provide portable generator starting contact connection point to allow building transfer switches to start a portable generator.
- 1.11. Refer to Division 23 for general mechanical ductwork and piping requirements. All generator ventilation systems and louver controls must be powered by the emergency power system.

- 1.11.A. Note that motor operated louvers used for generator supply/return/exhaust must fail open per NFPA 110. Use of fire dampers in these ducts is prohibited.
- 1.11.B. Generator supply, return and exhaust air shall be directly from the outside or through a 2 hour fire rated duct per NFPA 110.
- 1.12. The generator must be segregated from the normal power system per the Minnesota State Fire Code. The generator shall be installed in a separate 2 hour fire rated room. No equipment, except that serving the room, shall be installed in this space. Transfer switches may be installed in this space.
- 1.13. Generators mounted in outdoor enclosures with belly tanks must have a maintenance platform around all sides for access into the enclosure.

2. Fuel Oil Systems

- 2.1. Fuel oil tanks must have spill containment and shall have a means for visually verifying fuel oil level in addition to the mechanical or electronic fuel level indicators.
- 2.2. Day tanks must have a mechanical float gauge in place of or in addition to the electronic fuel gauge.
- 2.3. Fuel oil transfer systems must be designed with a fill tank and pump (at grade) at which allows fuel to be poured into the tank and then pumped up to the day tank. In addition, there shall be a dry-lock connector for a larger fuel truck to pump up to the day tank via a bypass line around the pump.
- 2.4. Isolation valves must be installed on the fuel oil transfer system to allow for pump maintenance without having to drain the system.
- 2.5. A means for pumping the fuel out of the day tank and back to the head end of the fuel oil transfer system must be provided because the life of very low sulfur fuel oil is limited and requires it to be periodically replaced.
- 2.6. Fuel oil coolers shall be provided as determined by the engine generator manufacturer.
- 2.7. Installations with remote fuel oil storage tanks shall NOT use self-priming pumps to transfer fuel to the day tank.
- 2.8. Day tanks shall be sized to allow the generator to run for a minimum of 2 hours.

3. Emissions

- 3.1. Generators shall meet all relevant Minnesota and Federal Pollution Control Agency requirements for emission control and reduction.
- 3.2. All new generators must be submitted for permitting to the University Department of Environmental Health and Safety (DEHS). The A/E is responsible for filling out the necessary information on the engine generator permit application before submitting it to DEHS.
 - 3.2.A. Depending on the size and use of the generator, construction of the building may not be allowed until the permit has been submitted and approved by the

Minnesota Pollution Control Agency (MPCA). Please consult with DEHS for guidance.

- 3.2.B. All generator exhausts piping shall be located to disperse exhaust fumes and noise without affecting the normal functions of the building and surrounding site. Ensure that exhaust will not be re-entrained by nearby air intakes, including adjacent buildings.
- 3.2.C. Confirm with DEHS that exhaust models are in compliance with ambient air quality standards before determining final design. In general, exhaust stacks must be located approximately 10 feet above the highest roofline to disperse the exhaust and avoid building downwash, which can cause ambient air quality problems. The ambient air quality standards are listed in Minnesota Rules 7009. Exceptions to the 10 foot rule must be reviewed and approved by DEHS who will provide modeling for compliance with ambient quality air standards.

4. Testing

- 4.1. Full load testing required upon initial installation of the engine generator set. Specify a full startup and commissioning of the emergency generator by the generator vendor, including a full load test for the specified run time. This test must be run after the generator room systems are installed and operational (e.g. louvers, ventilation, doors, etc.).

26 33 53 STATIC UNINTERRUPTIBLE POWER SUPPLY

1. General

- 1.1. Possible requirements may include building automation system applications, server rooms, and emergency systems.
 - 1.1.A. Redundant UPS systems for large data centers or server rooms shall be considered.
- 1.2. The UPS shall be an on-line type system that rectifies the incoming house power to a DC bus and converts it back to AC.
- 1.3. Include integral bypass/isolation circuit breakers for all stationary, hardwired UPS equipment. Bypass designs must be reviewed and approved by the University for future replacement capabilities.
- 1.4. The UPS shall be specified to be capable of staying online during an automatic transfer switch transition from normal power to generator, and from generator to normal power.
- 1.5. Include one normally open and one normally closed general alarm contact wired out to the building DDC system for remote monitoring by our BSAC department.
- 1.6. The option for a high efficiency UPS shall be considered and reviewed by the University.

2. Batteries

- 2.1. Batteries shall be “hot-swappable” so the UPS can stay on-line while batteries are being replaced.
- 2.2. Wet cell batteries, if used, shall have a clear case with high and low acid levels lines extending around all sides of the case.
 - 2.2.A. Provide means for testing individual cell specific gravity.
 - 2.2.B. Provide flame arrester caps.
 - 2.2.C. Each case shall indicate the nominal cell voltage.
 - 2.2.D. Each case shall indicate the nominal and critical specific gravity.
 - 2.2.E. Each case shall be marked with the date of manufacture.
- 2.3. Batteries on racks or in cabinets shall be accessible for testing and verifying torque for individual cells or unit terminals. Vertical space above batteries shall be a minimum of 6 inches for dry/maintenance free batteries and a minimum of 18 inches for wet cell batteries.
 - 2.3.A. Batteries shall not be placed higher than 6 feet above the finished floor.
 - 2.3.B. Provide equipment for assisting in removal of cells when total weight of individual cell blocks exceeds 75 pounds.
- 2.4. Each cell shall be numbered for maintenance records.
- 2.5. Batteries shall require a straight pro-rated replacement agreement or better from the battery manufacturer.
- 2.6. Specify a full load test of the UPS battery system by the UPS vendor.

3. Harmonics

- 3.1. The design shall comply with IEEE 519 requirements at the point of common coupling. Other harmonic generating loads (e.g. VFD's) shall be included in the calculation.
- 3.2. Specify the limits for harmonics, the requirements for the input filter, and a requirement for field testing to verify compliance with the specifications.

26 36 23 AUTOMATIC TRANSFER SWITCHES

1. General

- 1.1. All current carrying components shall be copper.
- 1.2. Each ATS shall be fed from a separate generator breaker. Breakers for emergency ATS shall be in a separate enclosure from other ATS circuit breakers.
- 1.3. Optional Standby ATS rated at 1000 amps or more must have ground fault protection on a standby source breaker. Ground fault indication is not sufficient.

- 1.4. ATS used for optional standby loads such as research or ventilation equipment (not dedicated smoke control systems) shall be closed transition transfer type.
 - 1.4.A. All closed transition transfer switches must be submitted to Xcel Energy for approval. The A/E is responsible for filling out the Xcel application. The University will submit the application and pay the fees.
 - 1.4.B. The closed transition transfer ATS shall be equipped with an extended parallel relay that will trip the upstream disconnect device in the event the ATS is stuck in the parallel position. The upstream disconnect will need to be equipped with a shunt trip mechanism.
 - 1.4.C. Closed transition ATS shall not require batteries for proper installation during transfers.
- 1.5. A dedicated ATS shall be used for all Optional Standby loads and shall not be shared with legally required loads. Specify normally closed load shed contacts for future use.
- 1.6. ATS shall have fully rated short circuit ratings that meet the system available fault current.
 - 1.6.A. **Prohibited:** Series rating with circuit breakers or fuses.
- 1.7. Provide a minimum of two sets of auxiliary form C contacts (rated for the appropriate wetting voltage) to indicate normal and emergency transfer switch positions.
 - 1.7.A. One set of contacts must be wired to the building DDC system for status indication back to the University BSAC department.
- 1.8. All ATS's, including a fire pump ATS, shall have a generator start command contact.
- 1.9. Provide a digital based meter that provides a minimum of three phase amps, volts, power and power factor.
- 1.10. Segregate emergency and legally required standby system ATS per the Minnesota State Fire Code and the NEC.
- 1.11. Fire pump controllers with integral transfer switches shall provide one form C contact indicating when the fire pump is running (NOT when the transfer switch operates).

26 41 00 FACILITY LIGHTNING PROTECTION

1. General

- 1.1. The A/E shall perform a risk assessment and make recommendations to the University as to the merits of a lightning protection system.
- 1.2. The need for lightning protection on a building must be reviewed and approved by the University. The requirement for lightning protection generally resides with the University insurance group, unless the A/E identifies other extenuating circumstances that would require a lightning protection system to be installed.
- 1.3. Lightning protection components and system must be UL listed and in compliance with Lightning Protection Institute and the NFPA requirements.

- 1.4. If installed, the lightning protection system must carry the Master Label as defined by the Underwriters Laboratory.

26 43 13 SURGE PROTECTIVE DEVICE (SPD)

1. General

- 1.1. All building low voltage service equipment shall be equipped with a Surge Protective Device (SPD).
- 1.2. There shall be a disconnect device between the SPD and main bus. The disconnect shall be in an accessible location and shall not require an outage of the equipment to operate.
- 1.3. The SPD shall be compliant with the latest edition of UL 1449.

26 50 00 LIGHTING

1. General Requirements

- 1.1. The Illuminating Engineers Society of North America (IESNA) Lighting Handbook, current edition, shall be used as a standard for lighting levels. Provide a spreadsheet showing all room names and numbers along with target illumination levels.
- 1.2. Provide two (2) copies of a light fixture cut-sheet booklet with any submittal showing lighting layouts. The booklet shall be in color with all fixture types clearly identified and include the light fixture schedule as well as proposed lighting controls.
- 1.3. Include the luminaire fixture schedule within the drawings, not within the specifications. As-built drawings shall include final luminaire information.
- 1.4. Submit one (1) copy of software generated lighting calculations of most interior spaces, during the DD design phase, to Energy Management for review. The use of “typical” rooms shall be acceptable except when daylight contribution is a factor for lighting controls. Show calculations for each space without daylight contribution as well as with daylight contribution and lighting controls. All levels shall be legible and shown on a scale drawing. All pertinent calculation parameters, (i.e. Avg, Min, Max, Avg/Min, Max/Min) shall be indicated and highlighted where non-IES compliant. Energy Management will provide direction and variance where deemed adequate. Utilize AGI-32 full calculation mode or a similar program, as approved by Energy Management.
- 1.5. Minimize the use of different lamp styles and wattages. Maximize the use of the 48 inch T8 lamp as this source has the best combination of efficiency, life, and low cost.
- 1.6. Discuss the use of LED technology with Energy Management where applications exist.
- 1.7. Medium and high bays in mechanical spaces, loading docks, shops, lobbies, etc. should take into account lamp life, lamp replacement, and controllability. Investigate

the use of T8 fluorescent lamps (with high ballast factor ballast) versus T5HO in these applications, and discuss options with Energy Management.

- 1.8. Provide aiming diagrams for luminaires that require the contractor to aim the luminaires. The A/E shall witness the aiming.

2. Lamps

- 2.1. **PROHIBITED:** Incandescent lamps; unless specifically approved by the University electrical engineering staff.
- 2.2. **PROHIBITED:** Low pressure sodium lamps.
- 2.3. **PROHIBITED:** Mercury vapor lamps due to low efficacy.
- 2.4. **PROHIBITED:** Fluorescent T12 lamps.
- 2.5. Linear fluorescent lamps shall be the T-8, 25-watt, rapid-start, 2400+ initial catalog lumens, 30,000+ hour rated average life with instant start ballasts based on 3 hour operating cycle. The use of linear T-5 high-output fluorescent lamps is allowed where design applications exist, after it is approved by Energy Management. Compact fluorescent lamps should be triple-tube style, 32W for down-lights and 18W for wall sconces. Coordinate other lamp wattages and styles with Energy Management. All fluorescent lamps will typically incorporate a 4100 degree Kelvin temperature and a minimum CRI of 80-86. Qualifying T8, 48 inch linear lamps are as follows:

GE Ecolux: F32T8/25W/SPX41/ECO

Philips Energy Advantage: F32T8/ADV841/XEW/ALTO 25 WATT

Sylvania Ecologic3: FO32/25W/841/XP/SS/ECO3

- 2.6. Contractor shall obtain all similar lamp types through one source from a single manufacturer.
- 2.7. Lamp Orientation: All lamps shall be specifically rated for the burn position in which they are used.
- 2.8. All fluorescent lamps on dimming ballasts shall be burned in at full brightness for 100 hours (or as required by the lamp manufacturer) continuously prior to any dimming. Bypass local control as necessary to accomplish this task.
- 2.9. To prevent hazardous failure mode where metal halide lamps are used, make provisions for switching off luminaires a minimum of 15 minutes per week. Review this requirement with the University.

3. Ballasts

- 3.1. Fluorescent ballasts shall be “premium” efficiency, electronic, CBM and ETL approved with a sound rating of A. Ballast shall also be Class P, thermal cut-out switch, rated where required by U.L. Investigate use of high or low ballast factor as part of the illumination calculations. Linear ballasts shall be as follows:
- 3.2. PRS (programmed rapid start ballast) – use with occupancy sensors or frequent switching applications.

Advance “Optanium”

GE “UltraStart”

Sylvania “PROStart”

- 3.3. IS (instant start ballast) – use with manual switched lighting and unswitched emergency luminaires.

Advance “Optanium”

GE “UltraMax”

Sylvania “QHE”

- 3.4. Provide label sticker on each luminaire ballast chamber (in 1/8” lettering) to read either “___V; Instant-Start; Ballast Factor” or “___V; Program-Start; Ballast Factor” (insert the voltage and ballast factor in each underlined space). As an example, label might read “120V; Program Start; 0.88 Ballast Factor.”
- 3.5. An in-line luminaire disconnect connector shall be used to meet 2008 NEC 410.130(G). The lighting manufacturer should also provide a “wire nut” connection on the load side of the disconnect to facilitate ballast replacement.
- 3.6. Fluorescent ballasts for outside applications or in areas where ambient temperature is lower than 50 degrees F shall have a minimum starting temperature of -20 degrees F.
- 3.7. High power factor regulator-type high intensity discharge (HID) ballasts that have a minimum power factor of 90 percent over the life of the lamp shall be specified. Also specify that the ballasts provide less than 1 percent variation of lamp wattage per percent of line voltage.
- 3.8. HID ballasts for outside applications shall have a minimum starting temperature of -40 degrees F.
- 3.9. Luminaires mounted in areas that are difficult to access shall have remote ballasts.
- 3.10. Remote mounted ballasts shall be located in an accessible, cool, dry location with adequate ventilation. Each ballast shall be labeled to correspond to its fixture location.
- 3.11. The designer shall consult with the Department of Environmental Health and Safety (DEHS) for requirements on handling and disposing PCB ballasts.
- 3.12. Remove and dispose ballasts that contain PCB per EPA requirements.
- 3.13. The contractor shall examine existing ballasts that are to be removed from service. If a ballast does not clearly indicate that it does not contain PCB, it shall be assumed to contain PCB.
- 3.14. DEHS shall provide a ballast collection container at or near the project site. Ballasts that contain PCB shall be placed in the ballast collection container as they are removed. The University shall dispose of the container and its contents.

4. Luminaires

- 4.1. For lensed fluorescent luminaires, the lenses shall be 100% virgin acrylic injection molded prismatic diffusers meeting the ASTM specifications for methacrylite molding compounds D.788-69A. Minimum lens thickness shall be 0.125”.
- 4.2. Metal Halide Lamps and ballasts shall be pulse start, where available for specified wattages, and rated for “open” fixtures.
- 4.3. For lensed metal halide luminaires, the lenses shall have tempered glass or high-impact safety lenses.
- 4.4. Where HID luminaires are used indoors, they shall be of the low sound level with encapsulated ballasts, or electronic ballasts when available for specified wattages.

5. Installation

- 5.1. Provide details of supports for luminaires on the drawings.
- 5.2. Recessed compact fluorescent and 2x2 fluorescent luminaires shall be installed such that lamps are aligned in the same relative orientation from one fixture to the next.
- 5.3. Cleaning: All luminaires shall be thoroughly cleaned and clear from dust, paint, construction debris and fingerprints after all other trades are complete, but prior to the date of substantial completion.

6. Commissioning

- 6.1. The lighting control elements shall be properly set and tested for optimal operation. Commissioning agent shall provide a report for the following systems (as applicable for the project):
 - Daylight harvesting
 - Occupancy sensors
 - Building automated lighting controls
 - Dimming Systems
 - Emergency relays
- 6.2. The appropriate University engineering staff shall be invited to attend these sessions.

26 52 00 EMERGENCY LIGHTING

1. General

- 1.1. Each building shall be equipped with an egress lighting system as required by applicable code(s).
- 1.2. Provide emergency lighting along the path of egress, including the exterior of a building and ending at a public way (or as approved by Energy Management).

- 1.3. Battery type emergency lighting is not allowed without prior approval from Energy Management.
- 1.4. Stairwells, lobbies, hallways and entrances shall have ample lighting to allow for night cleaning. Wall mounted ADA compliant fixtures with integral occupancy sensors and dimming ballasts are preferred for stairwells.

26 53 00 EXIT SIGNS

1. General

- 1.1. Exit lights shall be green LEC type signs, or University electrical engineering approved red LED and have stencil face with red letters with power consumption of less than 5 watts. Consider vandal-resistant models for dormitory design.
- 1.2. **PROHIBITED:** Self-contained exit signs powered by a radioactive source (tritium or similar)..

26 55 00 SPECIAL PURPOSE LIGHTING

1. Elevator Shafts

- 1.1. A continuous strip of lighting shall be installed the entire length of the elevator shaft for maintenance purposes.
- 1.2. Lighting type can be fluorescent or LED.
- 1.3. Each shaft must have its own lighting.
 - 1.3.A. **PROHIBITED:** Sharing lighting between two shafts.
- 1.4. Shafts that are visible (e.g. glass elevators), may be an exception to this standard and should be discussed with the University elevator maintenance staff to determine the requirements.

26 56 00 EXTERIOR LIGHTING

1. General

- 1.1. **PROHIBITED:** Bollard and underground luminaires in sidewalks and roadway areas.
- 1.2. Refer to the University Exterior Design Standards for fixture types. Verify the historical and non-historical areas for fixture application with the university.

- 1.3. General area and security lighting shall be LED, unless special requirements are needed and submitted for approval.
- 1.4. Lighting in parking lots shall be per the Parking and Transportation Services department standards. Refer to appendices in the Design Standards for Parking Structures for complete information on lighting standards for parking facilities.
- 1.5. Construction Site Lighting: Provide temporary exterior lighting that meet IESNA requirements for sidewalk lighting, around the perimeter fence line of construction sites for the safety of pedestrians traveling to and from adjacent facilities.
- 1.6. Determine foot-candle levels per the latest IES recommendations.
- 1.7. Fixture Lenses: Historical site and pedestrian light fixtures shall use glass lenses. Street lighting shall use high impact polycarbonate lenses that are ultraviolet stabilized.

2. Poles and Standards

- 2.1. Refer to the University Exterior Design Standards for pedestrian and site lighting pole types. Verify the historical and non-historical areas for fixture application with the university.
- 2.2. Describe poles in the fixture schedule. Provide complete details for bases on the electrical drawings. Anchor bolts shall be galvanized.
- 2.3. Include required grounding. Provide a copper grounding rod in the concrete base.
- 2.4. **Provide in-line fuses that are readily accessible via hand holes in the base of the pole. Fuse holder should be exterior grade, 600V rated with EPDM rubber jacket.**
- 2.5. Provide round concrete bases with chamfered edges. Bases shall extend a minimum of 3 inches above the sidewalk, sod, or mulched landscape.

3. Exterior Lighting Control

- 3.1. Provide a photocell operated lighting contactor with bypass switch for fixture equipment.
 - 3.1.A. **PROHIBITED:** Processor, PLC or any programmable control system or panel.
- 3.2. Provide redundant photocells.

4. Calculations

- 4.1. The professional shall submit one (1) copies of computer generated point-by-point calculations to Energy Management for review. Point levels shall be legible and plan to scale. All pertinent calculation parameters shall be indicated and highlighted where

non-compliant. Energy Management will provide direction and variance where deemed adequate.

- 4.2. Coordinate the method of calculating the vertical foot-candle requirement for Walkways with the University electrical engineering staff.

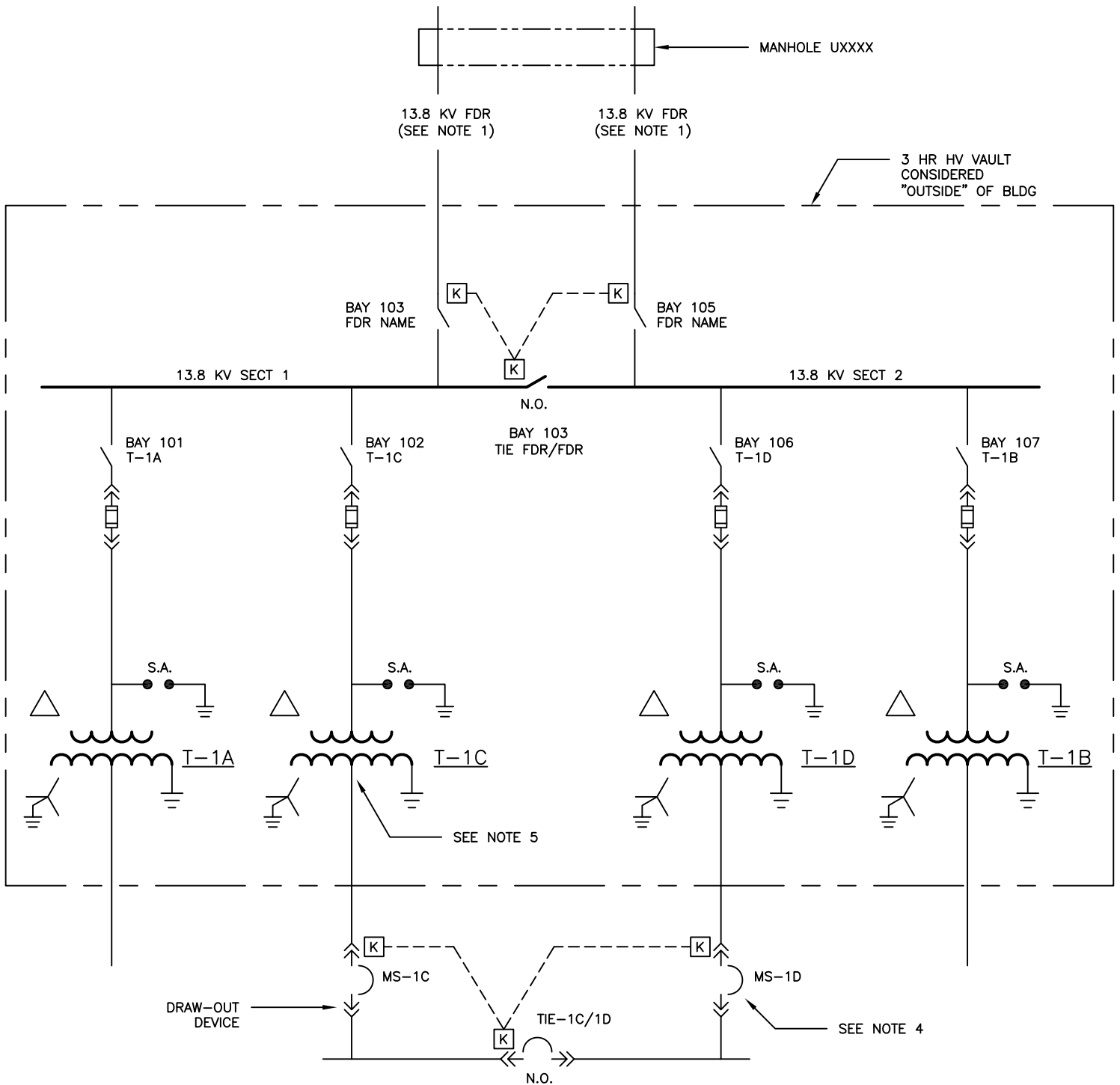
26 00 00 LIGHTING CONTROL DEVICES

1. General

- 1.1. **PROHIBITED:** Dimming systems on metal halide lamps due to high maintenance costs and reduced lamp life.
- 1.2. Exterior lighting controls: Refer to section 26-56-00
- 1.3. Provide the University with a detailed written description of the sequence of operation and control modes of all dimming systems.
- 1.4. Specify startup, demonstration and training for dimming systems to university personnel.
- 1.5. Provide three-way and four-way controls in long corridors, gymnasiums, auditoriums and other vast areas.
- 1.6. Interior building corridor, office, storage, individual restroom, and similar spaces shall be controlled via occupancy sensors (wallbox, wall mount, or ceiling mount). Use “vandal-resistant” models for wallbox mounting in individual bathrooms and small public rooms. Use dual-switch models for offices and similar spaces requiring dual level lighting (switch closest to the door frame controls the low-light level). Dual-technology is typically preferred, but consider whether the use of one technology over another is more appropriate. When ceiling sensors are used, other than in corridors, provide switch(es) on the load side to allow some user control. Building with individual HVAC control of offices shall use sensors with output relays to allow the HVAC unit to shut down to minimum levels when no occupancy is sensed. Discuss control strategy with Energy Management at schematic design phase.
 - 1.6.A. **PROHIBITED:** Occupancy sensors or timer switches in electrical rooms/closets, mechanical rooms, and in steam tunnels.
- 1.7. Day-lighting control shall be considered on all perimeter spaces and discussed with Energy Management at schematic design phase.

DIVISION 26 – FIGURE 1

TYPICAL REDUNDANT PRIMARY & SECONDARY SERVICE
ONE LINE

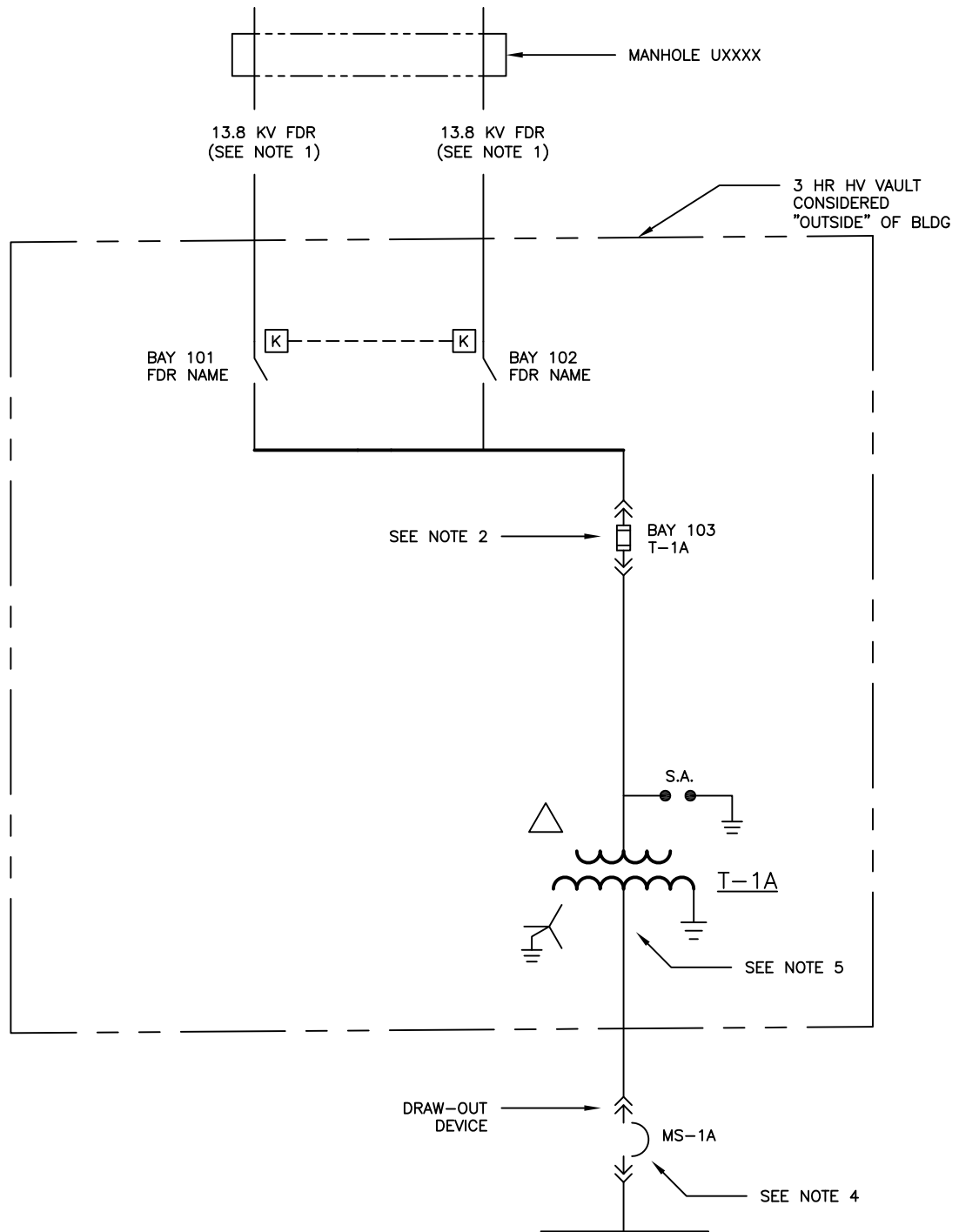


NOTES:

1. INCLUDE 13.8 KV FEEDER NAMES ON DWG. REQUEST NAMES FROM UNIVERSITY ELECTRICAL ENGINEERING STAFF.
2. ALL 13.8 KV FUSES SHALL BE EXPULSION TYPE AS MANUFACTURED BY S&C ELECTRIC. MAXIMUM FUSE SIZE SHALL NOT EXCEED 125E.
3. MAXIMUM TRANSFORMER SIZE IS 1500 KVA, NAN.
4. THE MAIN SECONDARY DISCONNECT IS CONSIDERED THE SERVICE ENTRANCE POINT TO THE BUILDING.
5. A SECONDARY CLOSE-COUPLED DISCONNECT DEVICE IS REQUIRED AT THE TRANSFORMER IF BUSWAY IS USED BETWEEN THE TRANSFORMER AND THE SERVICE DISCONNECT.

DIVISION 26 – FIGURE 2

TYPICAL SINGLE XFMR PRIMARY & SECONDARY SERVICE
ONE LINE

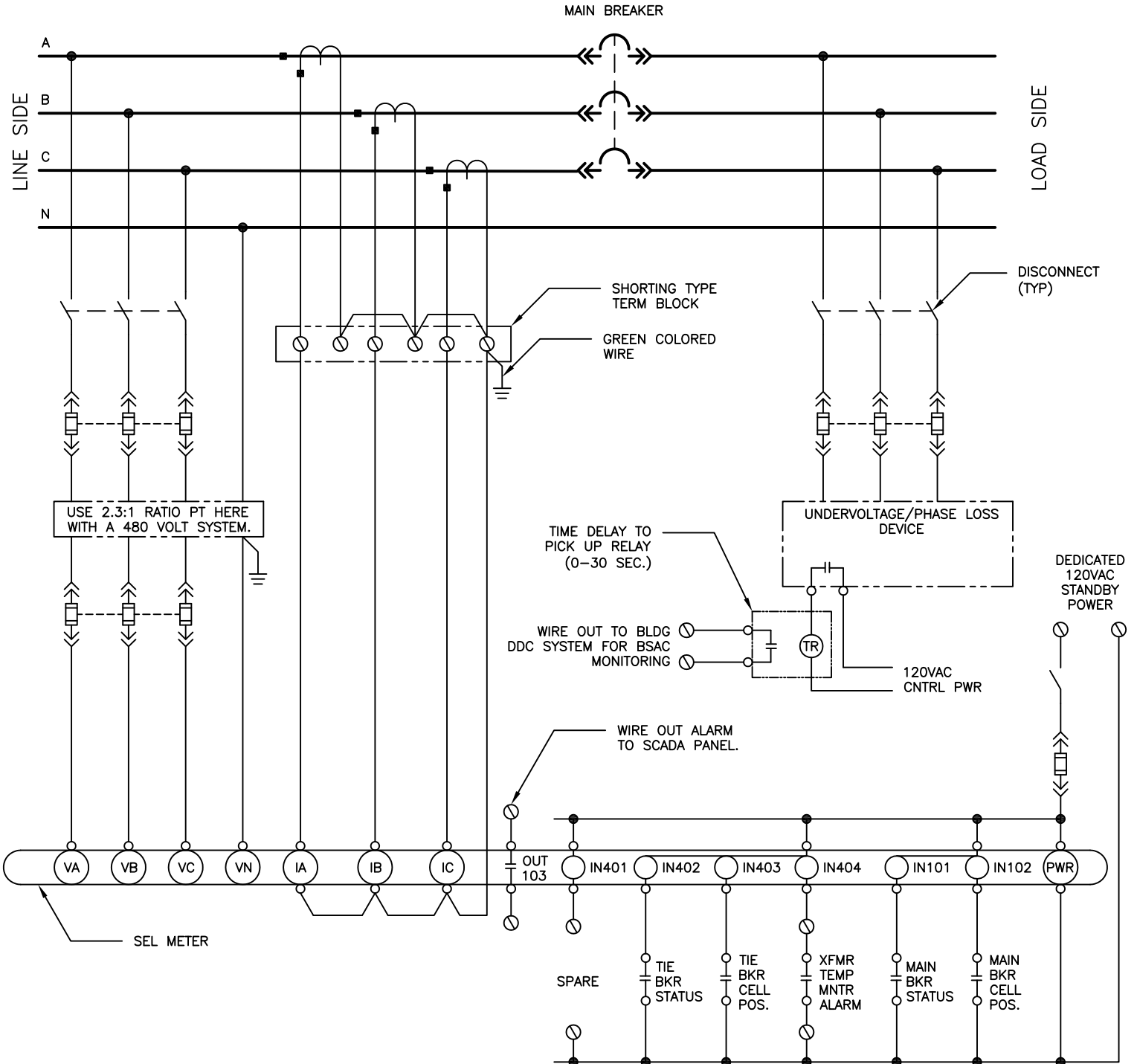


NOTES:

1. INCLUDE 13.8 KV FEEDER NAMES ON DWG. REQUEST NAMES FROM UNIVERSITY ELECTRICAL ENGINEERING STAFF.
2. ALL 13.8 KV FUSES SHALL BE EXPULSION TYPE AS MANUFACTURED BY S&C ELECTRIC. MAXIMUM FUSE SIZE SHALL NOT EXCEED 125E.
3. MAXIMUM TRANSFORMER SIZE IS 1500 KVA, NAN.
4. THE MAIN SECONDARY DISCONNECT IS CONSIDERED THE SERVICE ENTRANCE POINT TO THE BUILDING.
5. A SECONDARY CLOSE-COUPLED DISCONNECT DEVICE IS REQUIRED AT THE TRANSFORMER IF BUSWAY IS USED BETWEEN THE TRANSFORMER AND THE SERVICE DISCONNECT.

DIVISION 26 – FIGURE 3

ELEMENTARY REVENUE METERING SCHEMATIC



LEGEND

⊙ EXTERNAL TERMINAL BLOCK

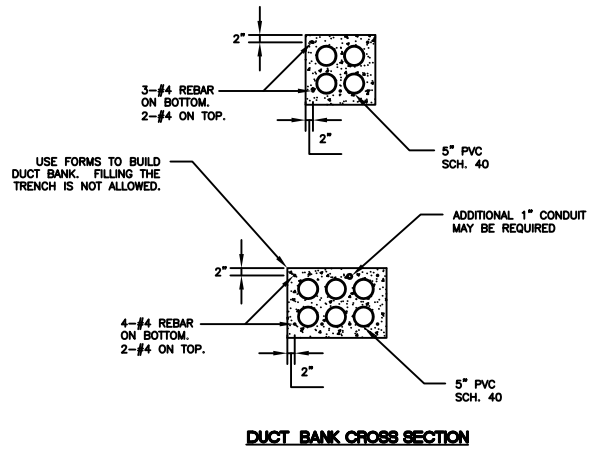
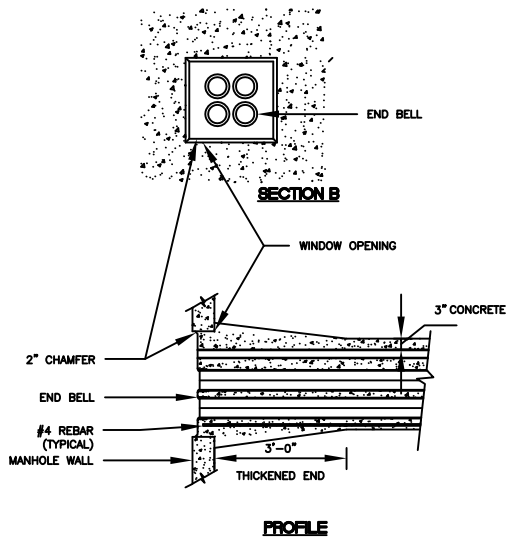
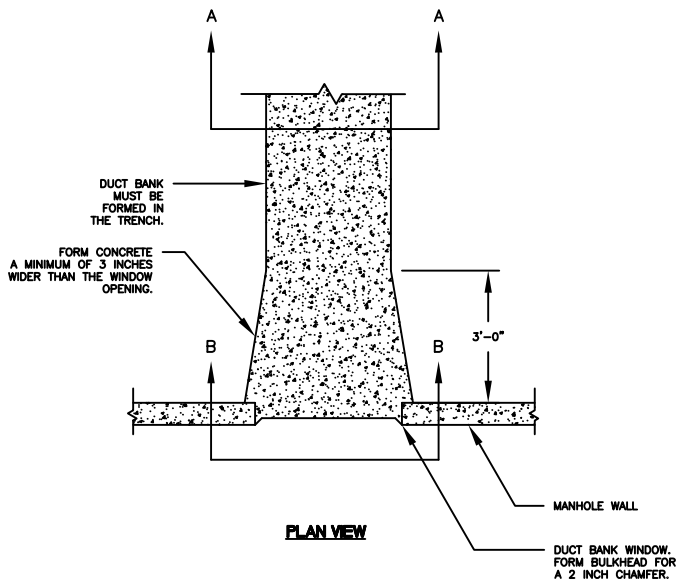
NOTES:

1. CURRENT TRANSFORMER WIRING SHALL BE A MINIMUM OF #12 AWG, TYPE SIS SWITCHBOARD WIRE. ALL OTHER WIRING SHALL BE A MINIMUM OF #14 AWG, TYPE SIS.
2. TIE BREAKER STATUS POINTS ONLY NEED TO BE WIRED TO ONE OF THE TWO MAIN BREAKER METERS.

REVISION 1
4-11-12

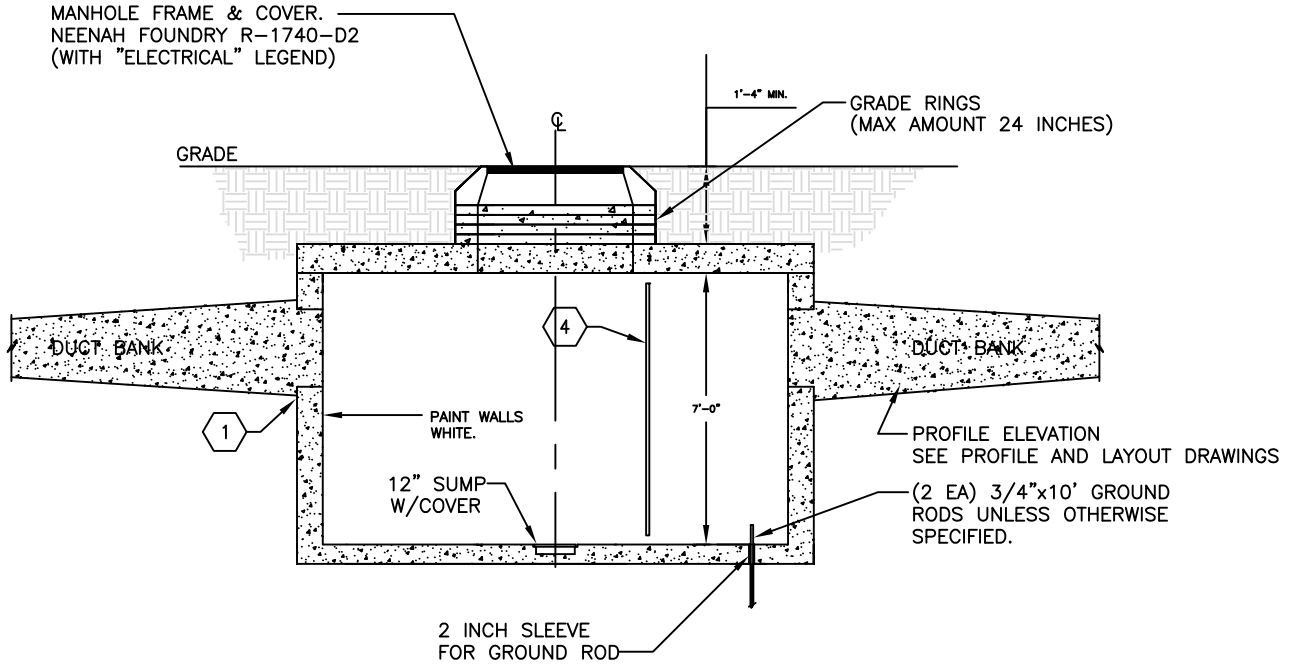
DIVISION 26 – FIGURE 4

TYPICAL DUCT BANK DETAILS

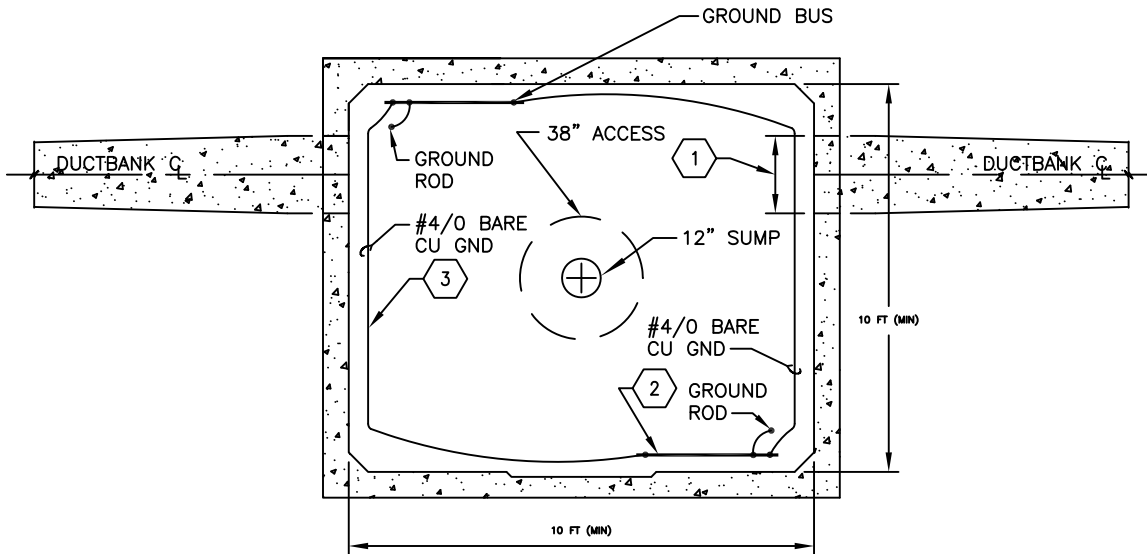


DIVISION 26 – FIGURE 5

TYPICAL ELECT MANHOLE DETAILS



PROFILE



PLAN

DETAIL KEYED NOTES:

- 1 REFER TO DUCT BANK DETAIL DRAWING FOR DUCT BANK ENTRANCE INTO A MANHOLE.
- 2 FURNISH AND INSTALL TWO RIGID 1/4"x4"x24" GROUND BUSES IN EACH MANHOLE. EACH GROUND BUS SHALL HAVE PRE-DRILLED 1/2 INCH HOLES WITH NEMA 2-HOLE SPACING. BOND GROUND BUS TO GROUND ROD AND TO EACH OTHER WITH A BARE #4/0 AWG COPPER WIRE. GROUND BUS MOUNTING HEIGHT: 12" FROM CEILING.
- 3 SUPPORT BARE #4/0 AWG COPPER WIRE WITH A MAXIMUM SPACING OF 24". WIRE SUPPORTS SHALL BE GALVANIZED STEEL WITH STAINLESS STEEL HARDWARE.
- 4 RECESS STRUT IN THE WALLS AND SPACE 24 INCHES APART.